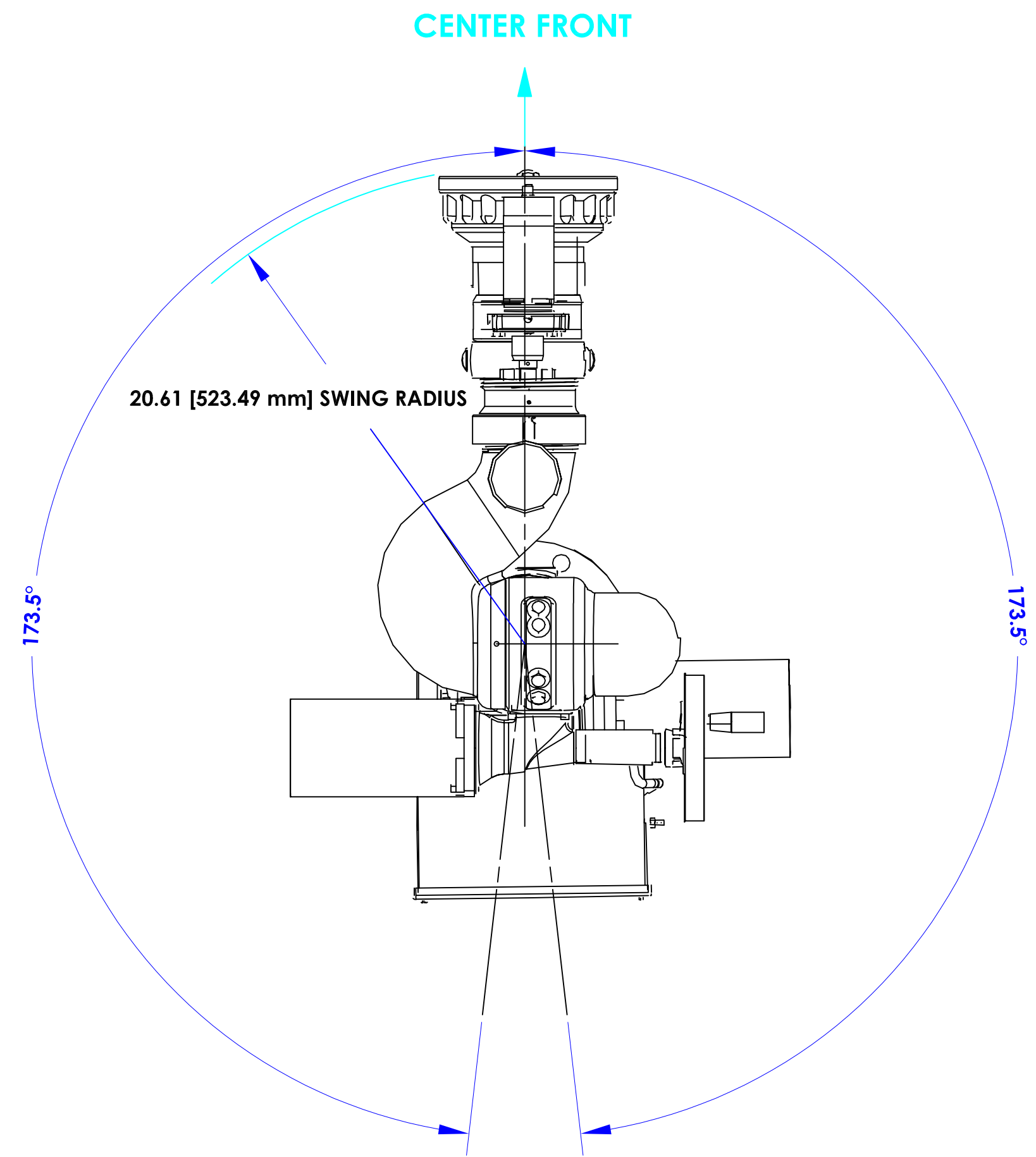
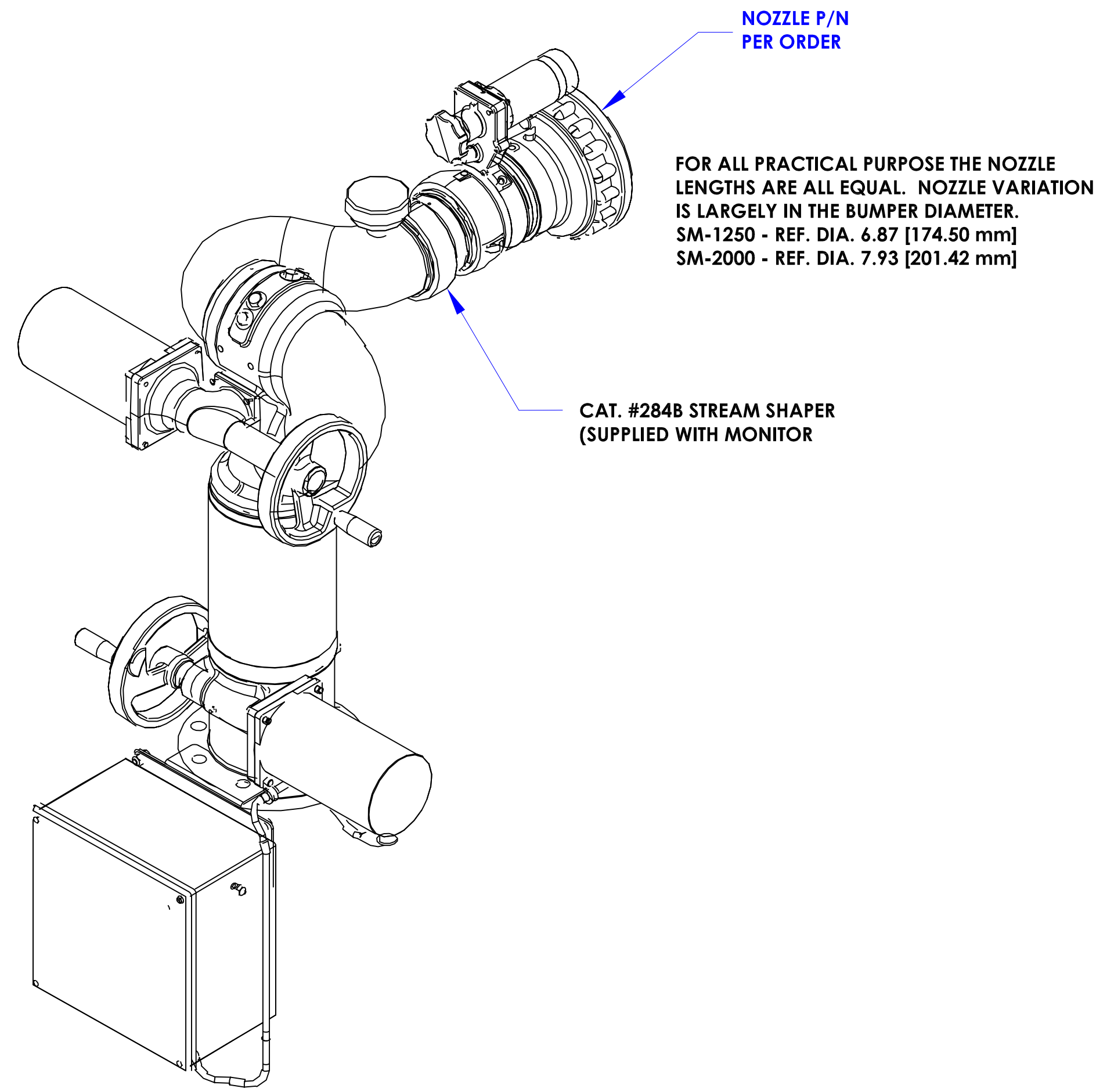
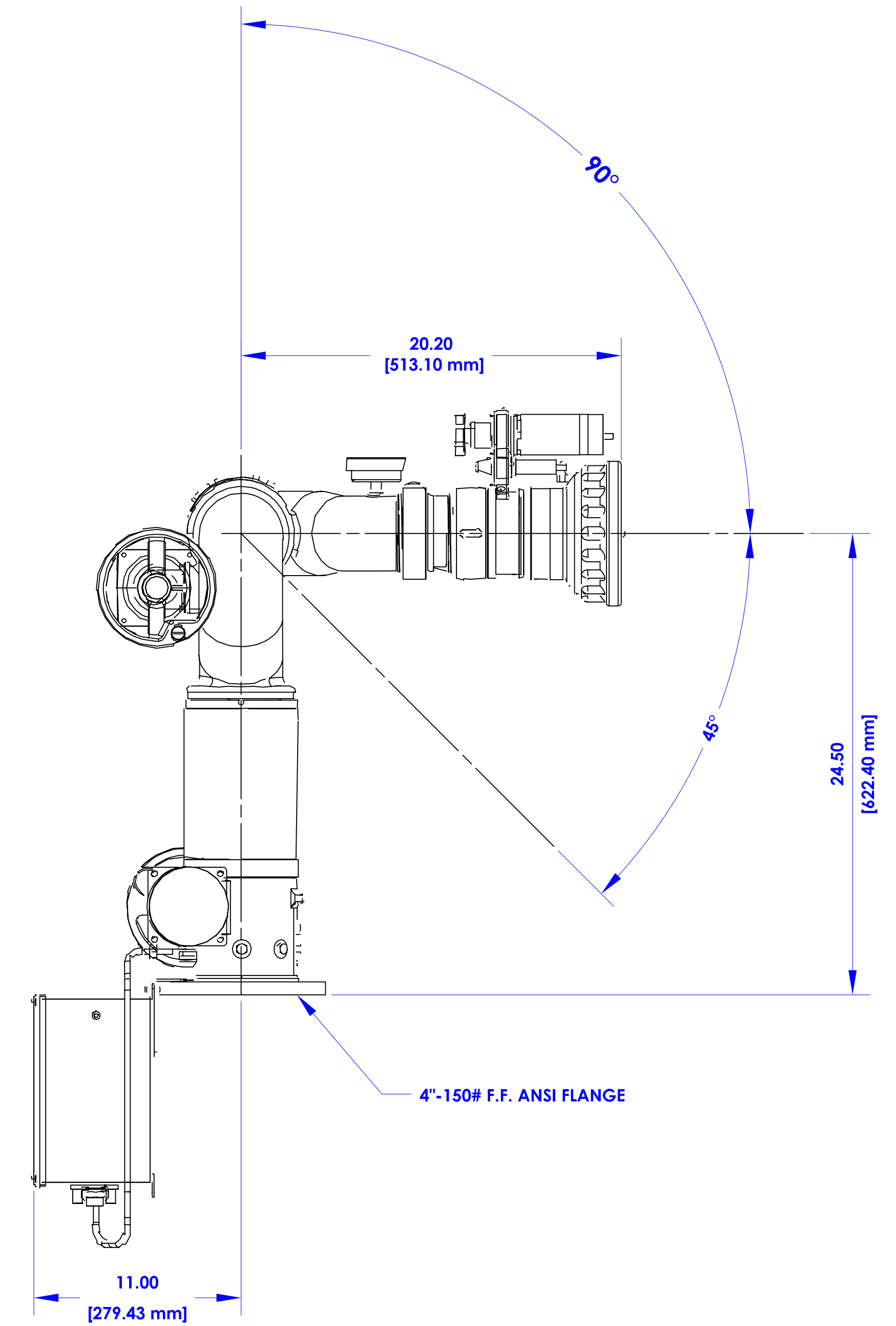
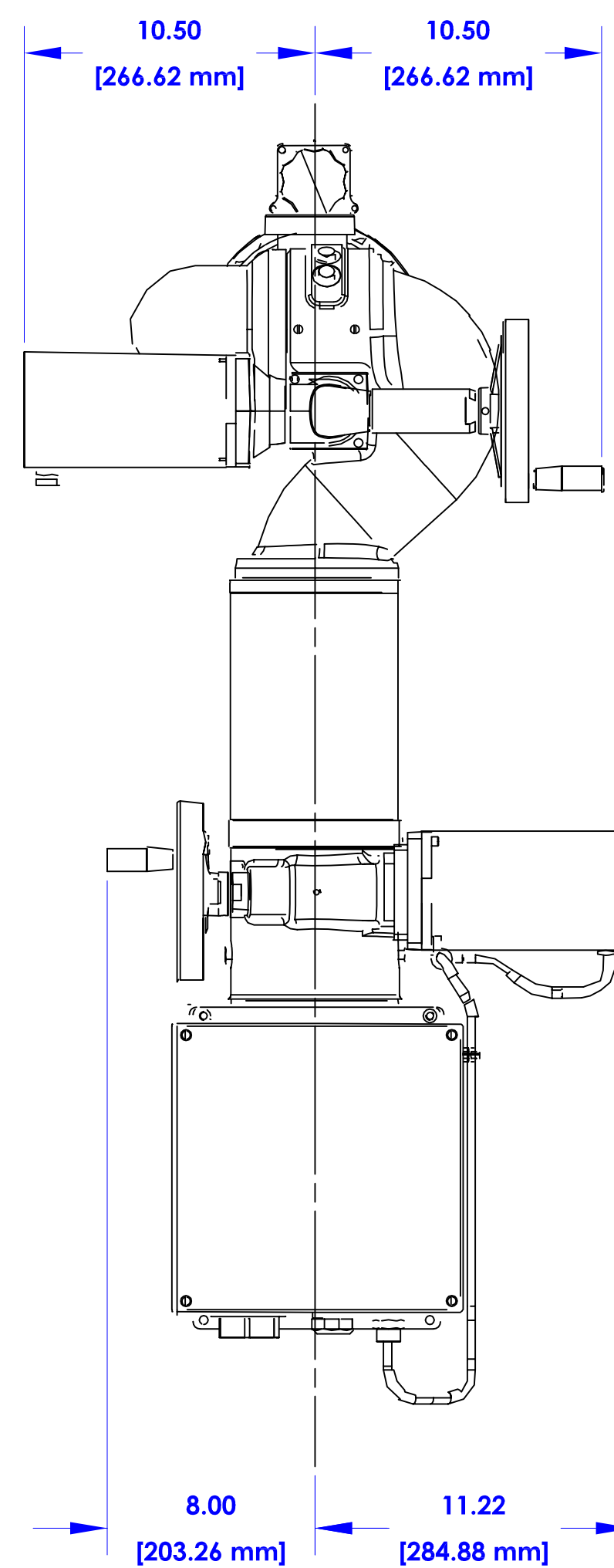
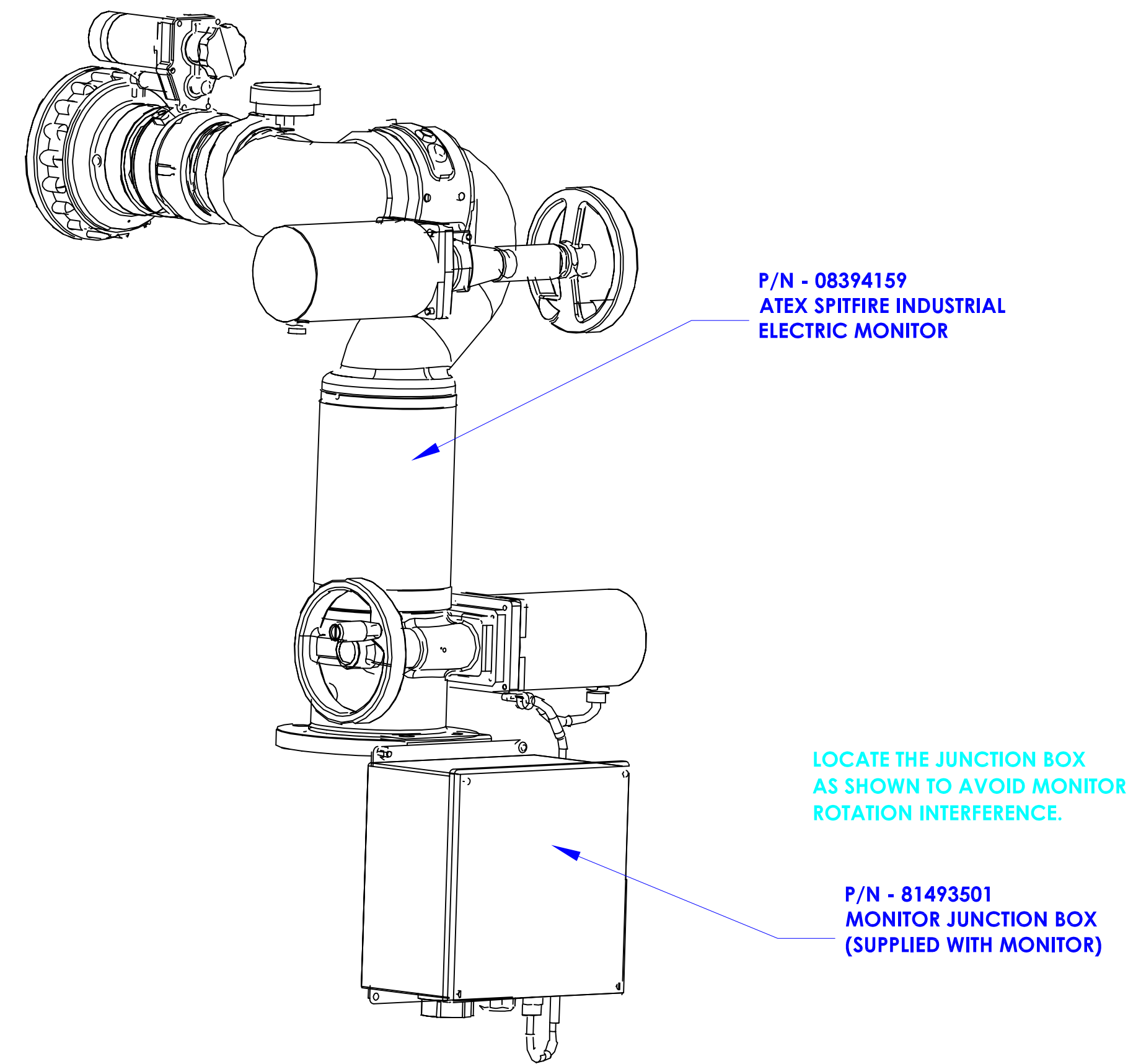


REV.	DESCRIPTION (NOTE: ADDITIONAL ECH BLOCKS TO BE COPIED AND FILLED OUT MANUALLY)	BY	E. C. N.
	INITIAL RELEASE	MSF	12OCT20



NOTE: THIS IS A DIMENSIONAL REFERENCE DRAWING ONLY. DIMENSIONS REPRESENT THE MAXIMUM MONITOR MOVEMENT AND CLEARANCES WITH NOZZLE ATTACHED. DO NOT SCALE DRAWING!



STANDARD DRAWING NOT FOR APPROVAL

ELKHART BRASS MFG. CO., INC. <small>1302 West Broadway Ave. Bristol, PA 18844, USA This print and all data contained here on is the sole and exclusive property of Elkhart Brass Mfg. Co., Inc. and will not be distributed to others without the consent of Elkhart Brass Mfg. Co., Inc. This print must be returned to Elkhart Brass Mfg. Co., Inc. Copyright © 2022 by Elkhart Brass Mfg. Co., Inc.</small>		DRAWN BY: MSF CHECKED BY: MJM DATE: 10/12/2020	ELKHART BRASS Fire Fighting Equipment
MATERIAL:		WEIGHT (LBS):	DESCRIPTION: WEB - 8394159 ELECTRIC MONITOR WITH NOZZLE - REFERENCE DIMENSIONS
TOLERANCE UNLESS OTHERWISE SPECIFIED: 2 PLACE DEC. ± .060" 3 PLACE DEC. ± .030" ANGLES ± 1°		UNLESS OTHERWISE SPECIFIED: DIMENSIONS ARE IN INCHES ALL FILLS AND ROUNDS R.006 DO NOT SCALE PRINT INTERPRET DIMENSIONS AND TOLERANCES PER ASME Y14.5M 1994 CAD MODEL:	CAT. NO.: D WEB - 08394159 A
THIRD ANGLE PROJECTION		CAD SCALE: NONE	SHEET 1 OF 1