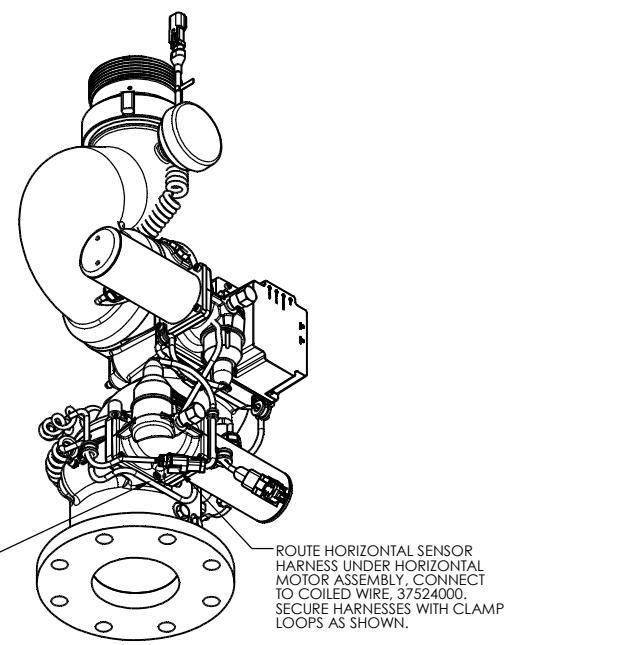
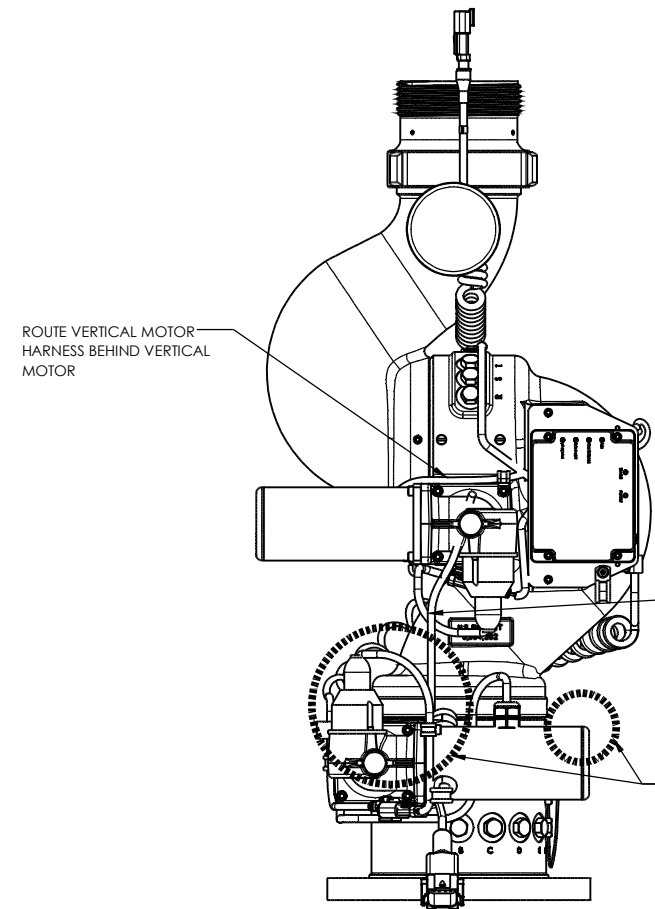
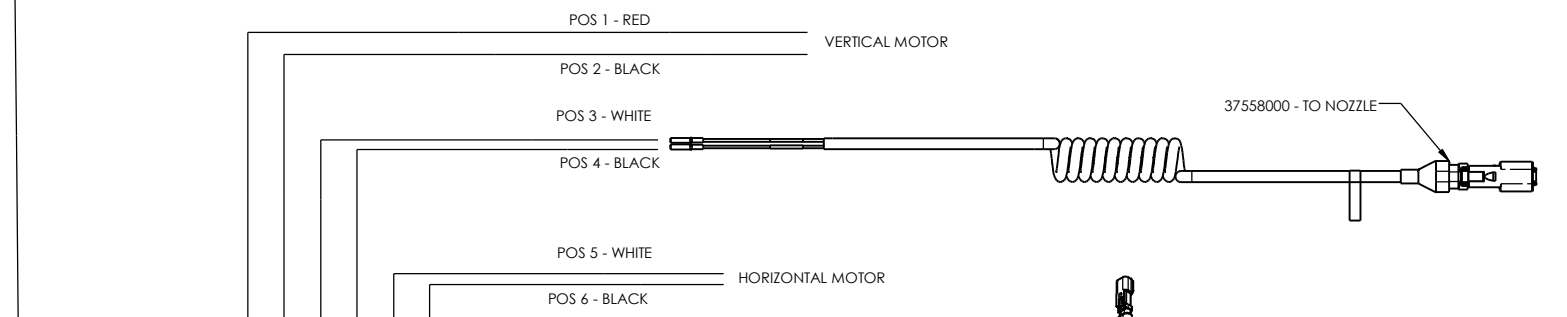
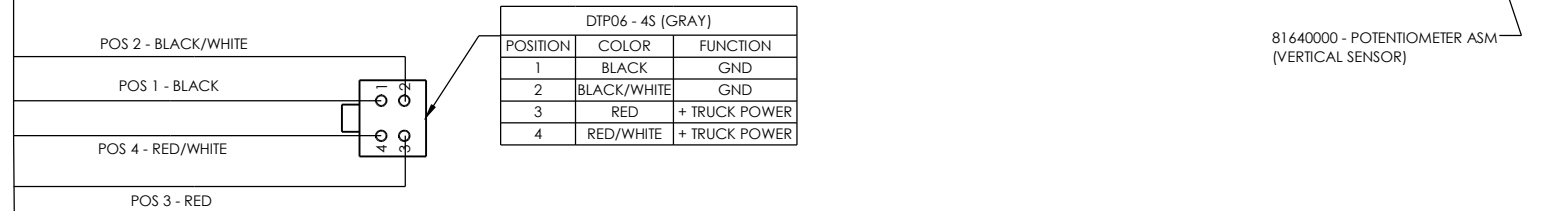
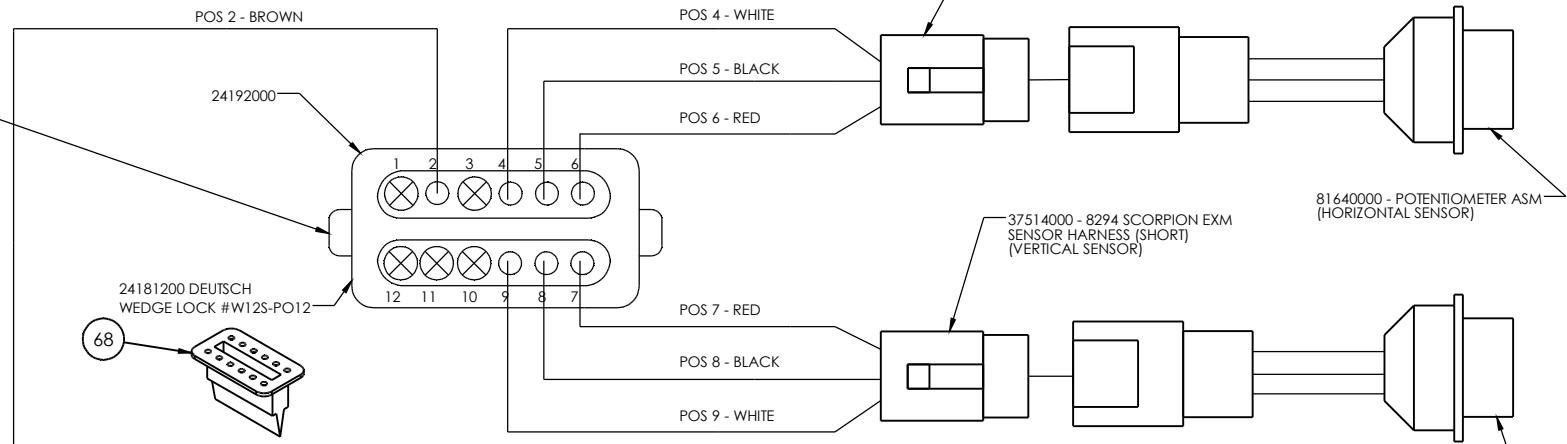
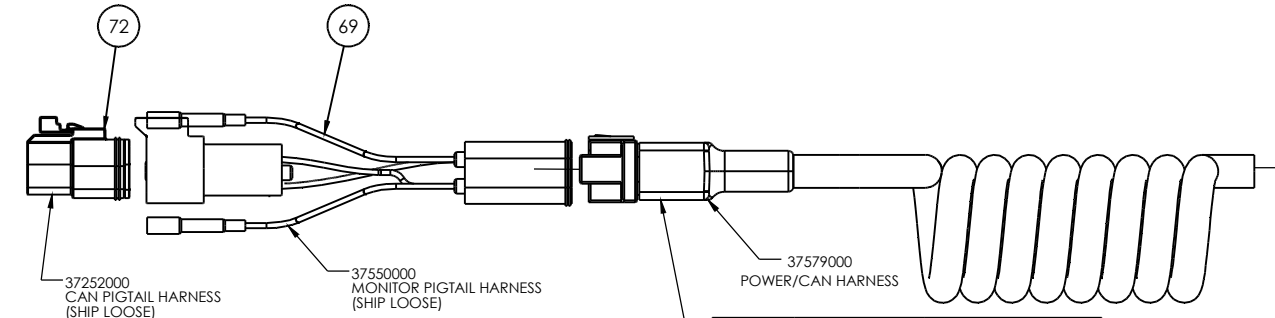


DT06-12S (GREEN)		
POSITION	COLOR	FUNCTION
1	PLUG	
2	BROWN	STOW OUTPUT
3	PLUG	
4	BLUE	H SENSOR SIGNAL
5	BLACK	H SENSOR GROUND
6	RED	H SENSOR POWER
7	RED	V SENSOR POWER
8	BLACK	V SENSOR GROUND
9	BLUE	V SENSOR SIGNAL
10	PLUG	
11	PLUG	
12	PLUG	+5V

DT04-08PA (GRAY)		
POSITION	COLOR	FUNCTION
1	RED	TRUCK POWER
2	RED/WHITE	TRUCK POWER
3	YELLOW	CAN HIGH
4	WHITE	EXTENDED TRAVEL INPUT
5	BROWN	STOW OUTPUT
6	GREEN	CAN LOW
7	BLACK	GND
8	BLACK/WHITE	GND

DT06-12S (GRAY)		
POSITION	COLOR	FUNCTION
1	RED	V MOTOR UP
2	BLACK	V MOTOR DOWN
3	WHITE	NOZZLE FOG
4	BLACK	NOZZLE STREAM
5	WHITE	H MOTOR RIGHT
6	BLACK	H MOTOR LEFT
7	PLUG	AUX 1 PWR (LIGHT 1)
8	PLUG	AUX 2 PWR (LIGHT 2)
9	WHITE	EXTENDED TRAVEL INPUT
10	PLUG	AUX GROUND
11	GREEN	CAN LOW
12	YELLOW	CAN HIGH

DTP06-4S (GRAY)		
POSITION	COLOR	FUNCTION
1	BLACK	GND
2	BLACK/WHITE	GND
3	RED	+ TRUCK POWER
4	RED/WHITE	+ TRUCK POWER



NOTE 8: SET A LEFT AND RIGHT KEEP-OUT ZONE TO PREVENT THE MONITOR DISCHARGE ELBOW FROM CONTACTING THE HORIZONTAL MOTOR AND SENSOR PARTS. FAILURE TO SET THESE KEEP-OUT ZONES COULD RESULT IN DAMAGE TO THE MONITOR.

FINISH:	DRAWN BY: LSP	DATE: 04/05/2019	ELKHART BRASS
MATERIAL:	CHECKED BY: TMM	DATE: 07/23/2019	
TOLERANCE (UNLESS OTHERWISE SPECIFIED): 1 PLACE DEC = 1.125; 2 PLACES DEC = .001; ANGLES & 1° DIMENSIONS OTHERWISE SPECIFIED DIMENSIONS ARE IN INCHES	INTERPRET DIMENSIONS AND TOLERANCES PER ASME Y 14.5M	MOOR NUMBER: BOAX2 2000	DESCRIPTION: BOAX2 2000 (350 H, 135 V)
THIS PRINT, ITS DATA & CONTENT ARE PROPRIETARY & EXCLUSIVE PROPERTY OF ELKHART BRASS MANUFACTURING COMPANY, LLC AND MAY NOT BE DISCLOSED WITHOUT ITS EXPRESS WRITTEN CONSENT. THIS PRINT MUST BE RETURNED IMMEDIATELY UPON REQUEST. © 2021 ELKHART BRASS MANUFACTURING COMPANY, LLC. ALL RIGHTS RESERVED.	CAD MODEL FILE NAME: 43.0829	WEIGHT (LBS):	REV. D
THIRD ANGLE PROJECTION		SIZE: D	DRAWING NUMBER: 02007451
		CAD SCALE: 1:4	SHEET 3 OF 3