

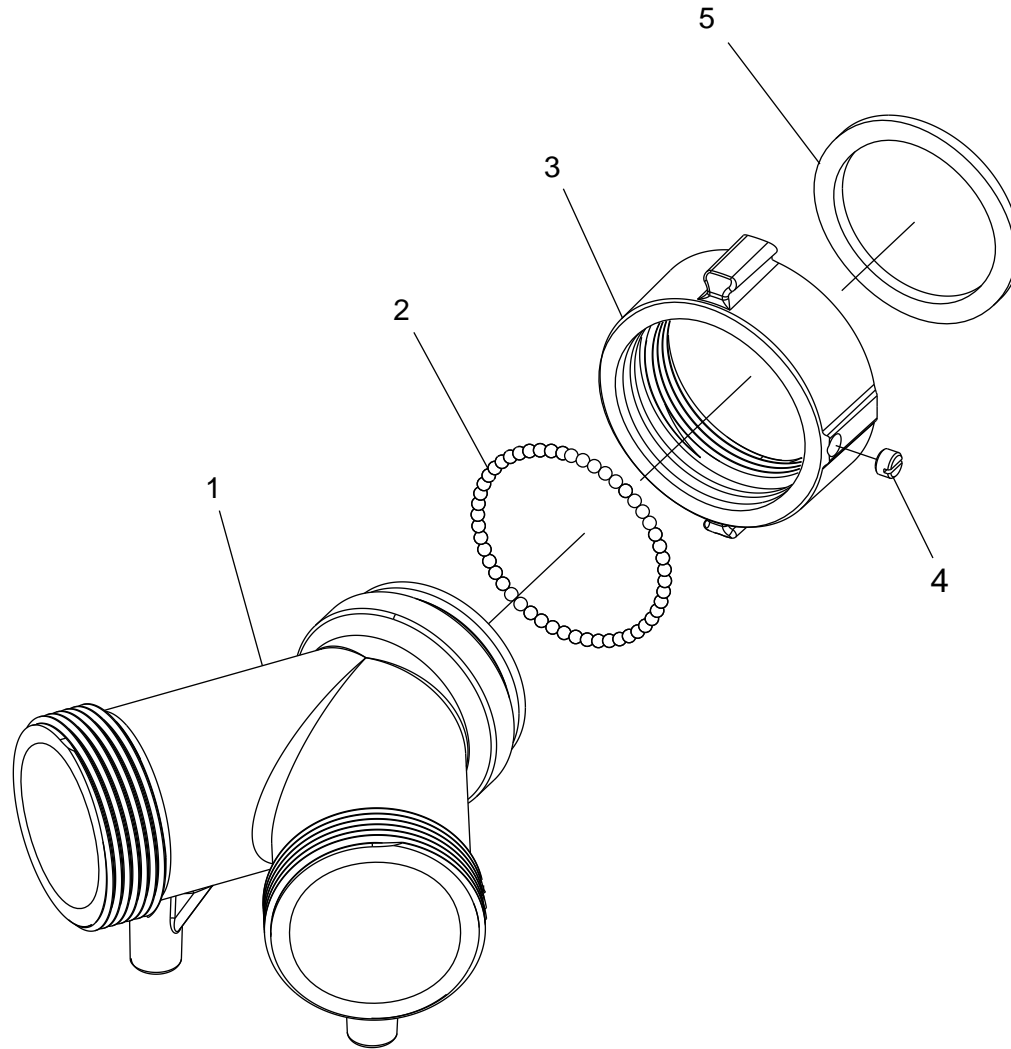









**WYES**  
**(1, 1A - 2.5"FX2.5"M[x2])**



 ELKHART BRASS MFG. CO., INC.  
ELKHART, INDIANA


THIS DRAWING CONTAINS INFORMATION THAT IS  
PROPRIETARY TO ELKHART BRASS MFG. CO., INC.  
AND MAY NOT BE USED TO PRODUCE ANY PARTS,  
ASSEMBLIES OR PRODUCTS DESCRIBED HEREIN  
WITHOUT EXPRESS WRITTEN PERMISSION.

WYES  
PAGE 1 OF 2  
05/2008

PART  
DRAWING

**WYES**  
**(1, 1A - 2.5"FX2.5"M[x2])**

INDEX #	MODEL	PART #	QTY	DESCRIPTION
1	1	71404001	1	Wye - Plain (Brass)
1	1A	71416001	1	Wye - Plain (Alum)
2	1	15016000	52	.187 Ball Brass
2	1A	15018000	52	.187 Ball S/S
3	1	62916002	1	2.5" Swivel (Brass)
3	1A	63069001	1	2.5" Swivel (Alum)
4	1	61248000	1	Screw Set (Brass)
4	1A	63674000	1	Screw Set (Alum)
5	ALL	33083000	1	Gasket - Rubber

 <b>ELKHART BRASS MFG. CO., INC.</b> ELKHART, INDIANA	
<small>THIS DRAWING CONTAINS INFORMATION THAT IS          PROPRIETARY TO ELKHART BRASS MFG. CO., INC.          AND MAY NOT BE USED TO PRODUCE ANY PARTS,          ASSEMBLIES OR PRODUCTS DESCRIBED HEREIN          WITHOUT EXPRESS WRITTEN PERMISSION.</small>	
WYES PAGE 2 OF 2 05/2009	PART LIST

**CONNECTION OPTIONS KEY\***


**DESIGNATIONS**

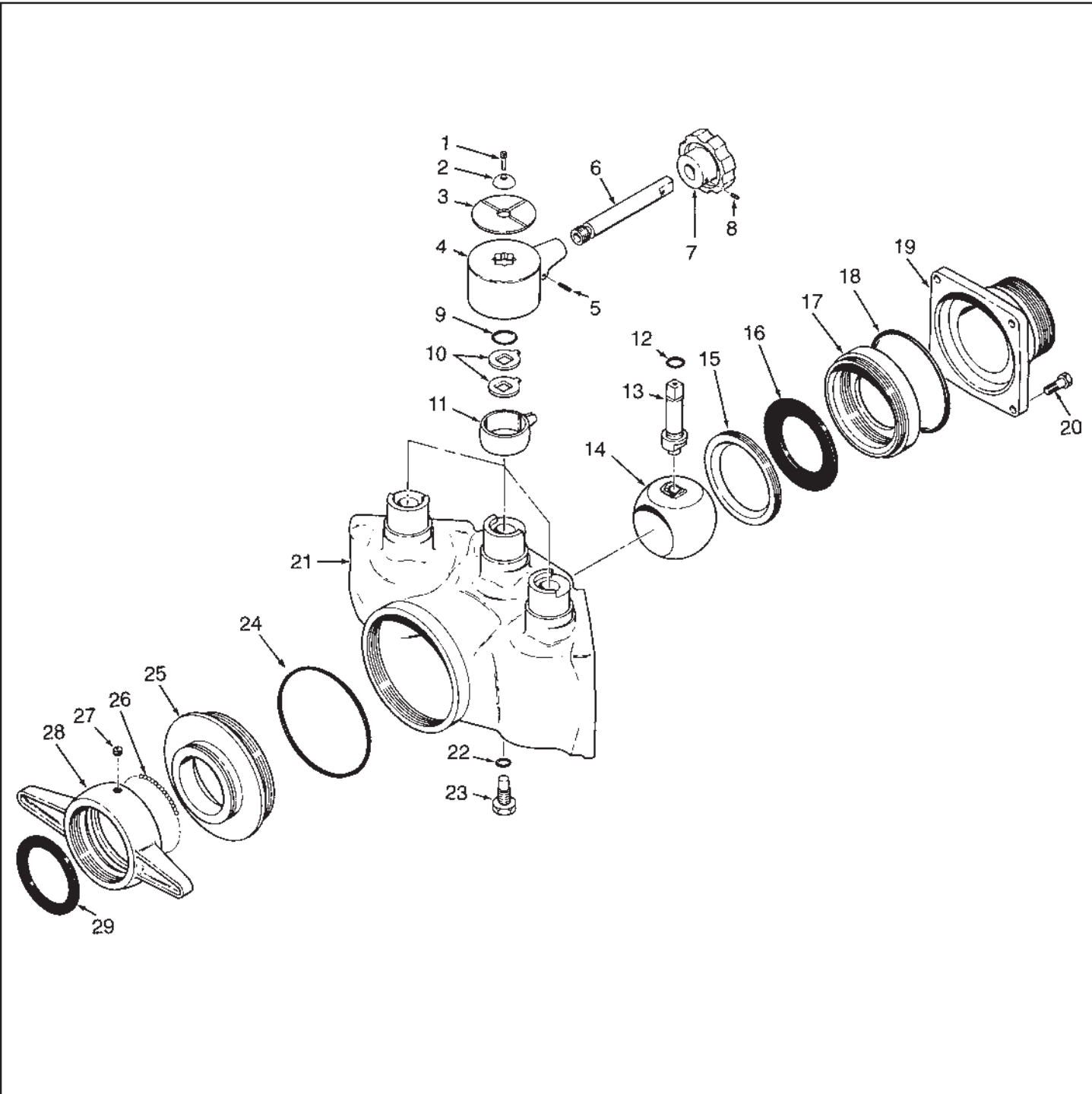
<b>A</b>	.75"
<b>B</b>	1"
<b>C</b>	1.5"
<b>D</b>	2.5"
<b>E</b>	3"
<b>F</b>	3.5"
<b>G</b>	4"
<b>H</b>	4.5"
<b>J</b>	5"
<b>K</b>	6"

*Example: A 1" female swivel inlet would be **B***

\*Not all inlet or outlet options will be available with every appliance.

All appliances are NHT unless otherwise specified. Inquire with our sales staff about other thread options.

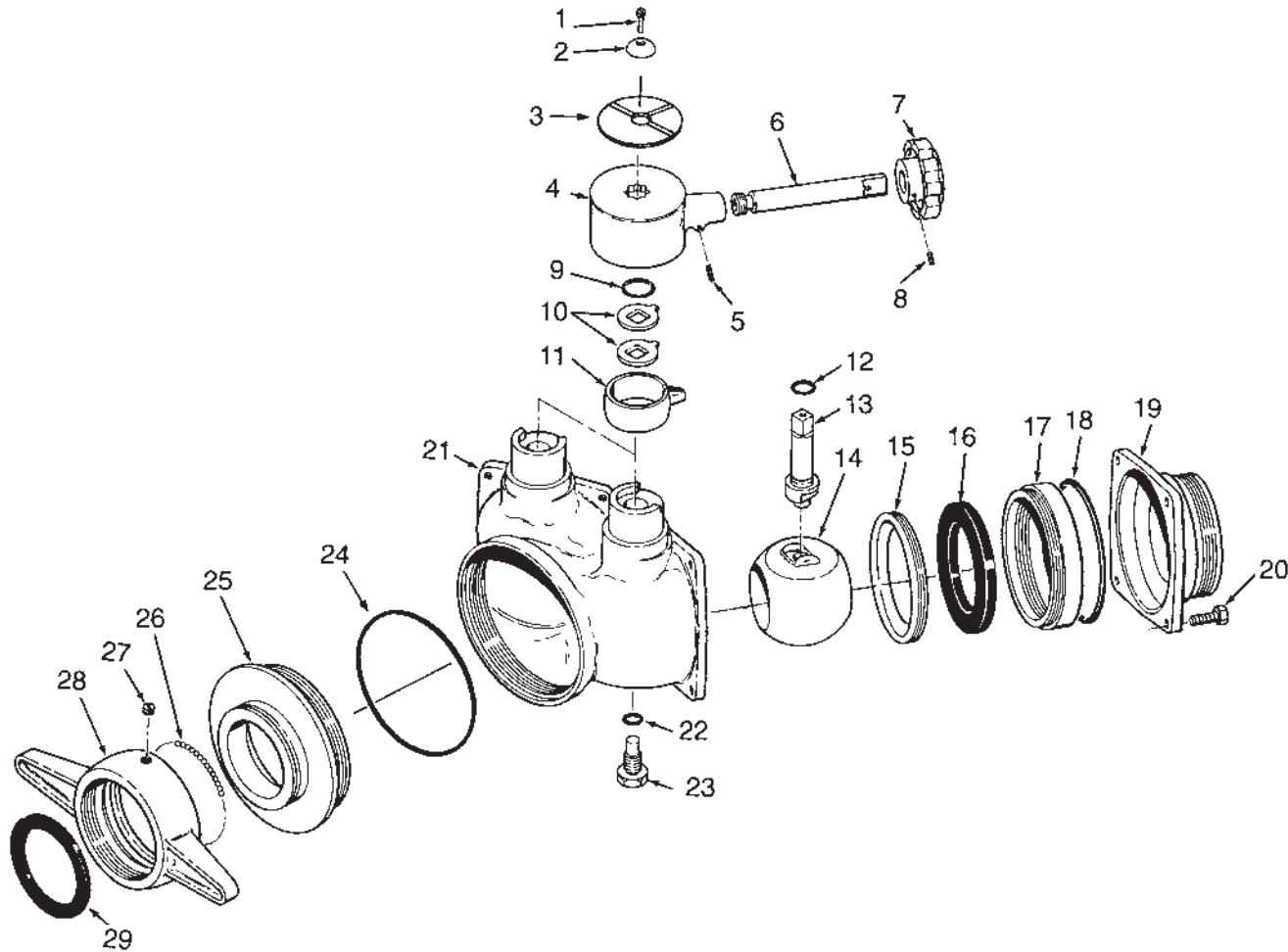
	ELKHART BRASS MFG. CO., INC. ELKHART, INDIANA
THIS DRAWING CONTAINS INFORMATION THAT IS PROPRIETARY TO ELKHART BRASS MFG. CO., INC. AND MAY NOT BE USED TO PRODUCE ANY PARTS, ASSEMBLIES OR PRODUCTS DESCRIBED HEREIN WITHOUT EXPRESS WRITTEN PERMISSION.	
CONNECTION OPTIONS KEY 03/2009	



INDEX NO.	PART NO.	QTY. REQ.	DESCRIPTION
1	61036	3	Cap Screw
2	71082	3	Handle Washer
3	51730	1	Indicator Plate
4	15787	3	Handle Body (B-95)
4	15800	3	Handle Body (B-95A)
5	51246	3	Roll Pin
6	61519	3	Handle Rod
7	42054	3	Handle Knob
8	63677	3	Set Screw
9	57395	3	"O" Ring
10	51812	6	Stop Plate
11	61701	3	Expanding Sleeve (B-95)
11	61706	3	Expanding Sleeve (B-95A)
12	57295	3	"O" Ring
13	61467	3	Actuator Shaft ((B-95)
13	63756	3	Actuator Shaft (B-95A)
14	17303	3	Valve Ball
15	57264	3	Retainer Lock Ring (B-95)
15	57273	3	Retainer Lock Ring (B-95A)
16	61391	3	Valve Seat
17	57032	3	Seat Retainer (B-95)
17	58886	3	Seat Retainer (B-95A)
18	57390	3	"O" Ring
19	20113	3	2.5" Male End Cap (B-95)
19	20122	3	2.5" Male End Cap (B-95A)
20	16375	12	Cap Screw
21	16316	1	Body (B-95)
21	16326	1	Body (B-95A)
22	57321	3	"O" Ring
23	61192	3	Pivot Bolt
24	57308	1	"O" Ring
25	10033	1	2.5" B/G Adapter (B-95)
25	10061	1	2.5" B/G Adapter (B-95A)
25	10034	1	3.0" B/G Adapter (B-95)
25	10062	1	3.0" B/G Adapter (B-95A)
25	10035	1	3.5" B/G Adapter (B-95)
25	10060	1	3.5" B/G Adapter (B-95A)
25	10036	1	4.0" B/G Adapter (B-95)
25	10059	1	4.0" B/G Adapter (B-95A)
25	10030	1	4.5" B/G Adapter (B-95)
25	10058	1	4.5" B/G Adapter (B-95A)
25	10031	1	5.0" B/G Adapter (B-95)
25	10063	1	5.0" B/G Adapter (B-95A)
25	10032	1	6.0" B/G Adapter (B-95)
25	10064	1	6.0" B/G Adapter (B-95A)
26	15016	*	.187 Diam. Brass Ball (B-95)
26	15018	*	.187 Diam. S/S Ball (B-95A)
27	61221	1	Set Screw (2.5", 3.5") (B-95)
27	61224	1	Set Screw (3.0", 4.0", 4.5", 5.0", 6.0") (B-95)
27	63674	1	Set Screw (2.5") (B-95A)
27	63676	1	Set Screw (3.0", 4.0", 4.5", 5.0", 6.0") (B-95A)
27	63675	1	Set Screw (3.5") (B-95A)
28	62962	1	2.5" L/H Swivel (B-95)
28	63034	1	2.5" L/H Swivel (B-95A)
28	62974	1	3.0" L/H Swivel (B-95)
28	63024	1	3.0" L/H Swivel (B-95A)
28	62879	1	3.5" L/H Swivel (B-95)
28	63023	1	3.5" L/H Swivel (B-95A)
28	62903	1	4.0" L/H Swivel (B-95)
28	63025	1	4.0" L/H Swivel (B-95A)
28	62911	1	4.5" L/H Swivel (B-95)
28	63026	1	4.5" L/H Swivel (B-95A)
28	62957	1	5.0" L/H Swivel (B-95)
28	63027	1	5.0" L/H Swivel (B-95A)
28	62909	1	6.0" L/H Swivel (B-97)
28	63028	1	6.0" L/H Swivel (B-95A)
29	33083	1	Rubber Gasket 2.5"
29	33094	1	Rubber Gasket 3.0"
29	33186	1	Rubber Gasket 3.5"
29	33177	1	Rubber Gasket 4.0"
29	33180	1	Rubber Gasket 4.5"
29	33179	1	Rubber Gasket 5.0"
29	33184	1	Rubber Gasket 6.0"

\* 2.5" -52, 3.0" -58, 3.5" -71, 4.0" -79, 4.5" -92, 5.0" -96, 6.0" -113





INDEX NO.	PART NO.	QTY. REQ.	DESCRIPTION
1	61036	2	Cap Screw
2	71082	2	Handle Washer
3	51730	2	Indicator Plate
4	15787	2	Handle Body (B-97)
4	15800	2	Handle Body (B-97A)
5	51246	2	Roll Pin
6	61519	2	Handle Rod
7	42054	2	Handle Knob
8	63677	2	Set Screw
9	57395	2	"O" Ring
10	51812	2	Stop Plate
11	61701	2	Expanding Sleeve (B-97)
11	61706	2	Expanding Sleeve (B-97A)
12	57295	2	"O" Ring
13	61467	2	Actuator Shaft (B-97)
13	63756	2	Actuator Shaft (B-97A)
14	17303	2	Valve Ball
15	57264	2	Retainer Lock Ring (B-97)
15	57273	2	Retainer Lock Ring (B-97A)
16	61391	2	Valve Seat
17	57032	2	Seat Retainer (B-97)
17	58886	2	Seat Retainer (B-97A)
18	57390	2	"O" Ring
19	20113	2	2.5" Male End Cap (B-97)
19	20122	2	2.5" Male End Cap (B-97A)
20	16375	8	Cap Screw
21	16357	1	Body (B-97)
21	16358	1	Body (B-97A)
22	57321	2	"O" Ring
23	61192	2	Pivot Bolt
24	57308	1	"O" Ring
25	10033	1	2.5" B/G Adapter (B-97)
25	10061	1	2.5" B/G Adapter (B-97A)
25	10034	1	3.0" B/G Adapter (B-97)
25	10062	1	3.0" B/G Adapter (B-97A)
25	10035	1	3.5" B/G Adapter (B-97)
25	10060	1	3.5" B/G Adapter (B-97A)
25	10036	1	4.0" B/G Adapter (B-97)
25	10059	1	4.0" B/G Adapter (B-97A)
25	10030	1	4.5" B/G Adapter (B-97)
25	10058	1	4.5" B/G Adapter (B-97A)
25	10031	1	5.0" B/G Adapter (B-97)
25	10063	1	5.0" B/G Adapter (B-97A)
25	10032	1	6.0" B/G Adapter (B-97)
25	10064	1	6.0" B/G Adapter (B-97A)
26	15016	*	.187 Diam. Brass Ball (B-97)
26	15018	*	.187 Diam. S/S Ball (B-97A)
27	61221	1	Set Screw (2.5", 3.5") (B-97)
27	61224	1	Set Screw (3.0", 4.0", 4.5", 5.0", 6.0") (B-97)
27	63674	1	Set Screw (2.5") (B-97A)
27	63676	1	Set Screw (3.0", 4.0", 4.5", 5.0", 6.0") (B-97A)
27	63675	1	Set Screw (3.5") (B-97A)
28	62962	1	2.5" L/H Swivel (B-97)
28	63034	1	2.5" L/H Swivel (B-97A)
28	62974	1	3.0" L/H Swivel (B-97)
28	63024	1	3.0" L/H Swivel (B-97A)
28	62879	1	3.5" L/H Swivel (B-97)
28	63023	1	3.5" L/H Swivel (B-97A)
28	62903	1	4.0" L/H Swivel (B-97)
28	63025	1	4.0" L/H Swivel (B-97A)
28	62911	1	4.5" L/H Swivel (B-97)
28	63026	1	4.5" L/H Swivel (B-97A)
28	62957	1	5.0" L/H Swivel (B-97)
28	63027	1	5.0" L/H Swivel (B-97A)
28	62909	1	6.0" L/H Swivel (B-97)
28	63028	1	6.0" L/H Swivel (B-97A)
29	33083	1	Rubber Gasket 2.5"
29	33094	1	Rubber Gasket 3.0"
29	33186	1	Rubber Gasket 3.5"
29	33177	1	Rubber Gasket 4.0"
29	33180	1	Rubber Gasket 4.5"
29	33179	1	Rubber Gasket 5.0"
29	33184	1	Rubber Gasket 6.0"

\* 2.5"-52, 3.0"-58, 3.5"-71, 4.0"-79, 4.5"-92, 5.0"-96, 6.0"-113