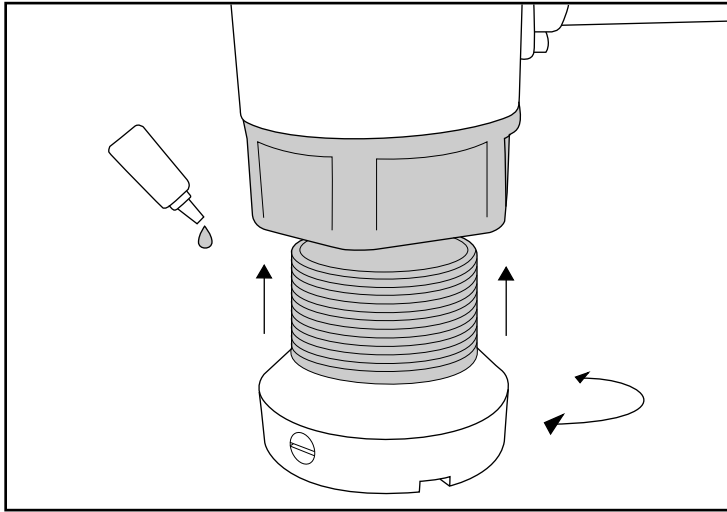
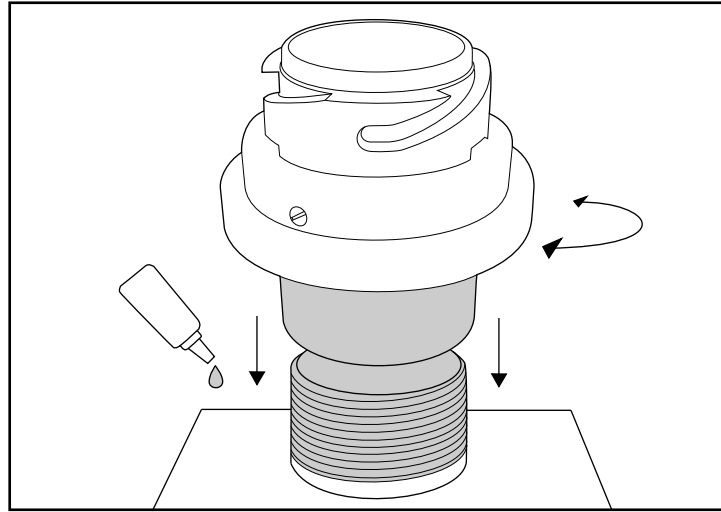


Sidewinder™ XM Quick Connect Install

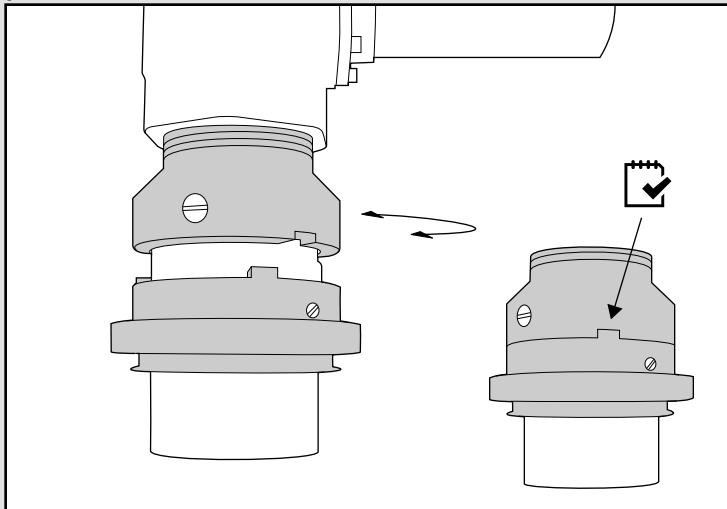
Install the quick connect discharge into monitor inlet using Loctite 592 thread sealant or equivalent. Tighten using a strap wrench.



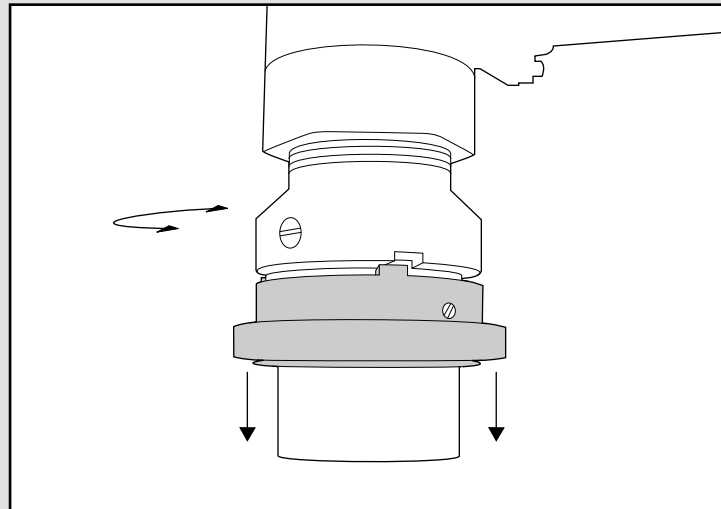
Install the quick connect inlet to base using Loctite 592 thread sealant or equivalent. Tighten using a strap wrench.



Connect the monitor to the base by turning clockwise until the lock ring snaps into place. **Confirm that the lock ring snaps securely into mating notches before applying pressure to the monitor.**



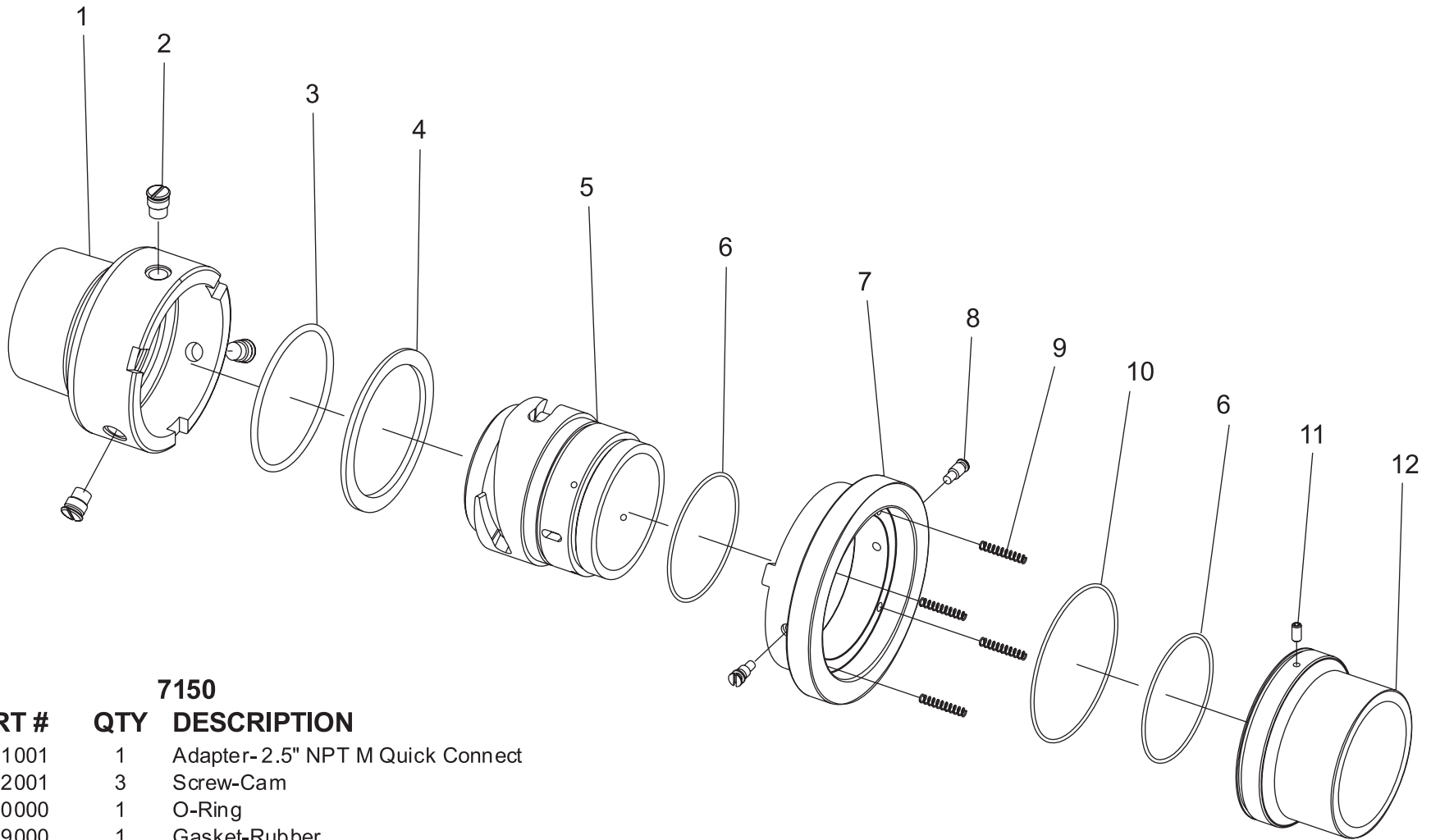
Disconnect monitor from base by pressing down on the lock ring and rotating the monitor counter-clockwise until it lifts off.



INSTALL

USE

98327000 Rev. Rel



7150

INDEX #	PART #	QTY	DESCRIPTION
1	11961001	1	Adapter-2.5" NPT M Quick Connect
2	64322001	3	Screw-Cam
3	57400000	1	O-Ring
4	33289000	1	Gasket-Rubber
5	11965001	1	Adapter-NPT Quick Connect
6	57474000	2	O-Ring
7	59180001	1	Ring-Lock Quick Connect
8	64321001	2	Screw-Cam
9	65708000	4	Spring-Coil
10	57522000	1	O-Ring
11	63691000	1	Screw
12	11962001	1	Adapter-2.5" NPT F Quick Connect