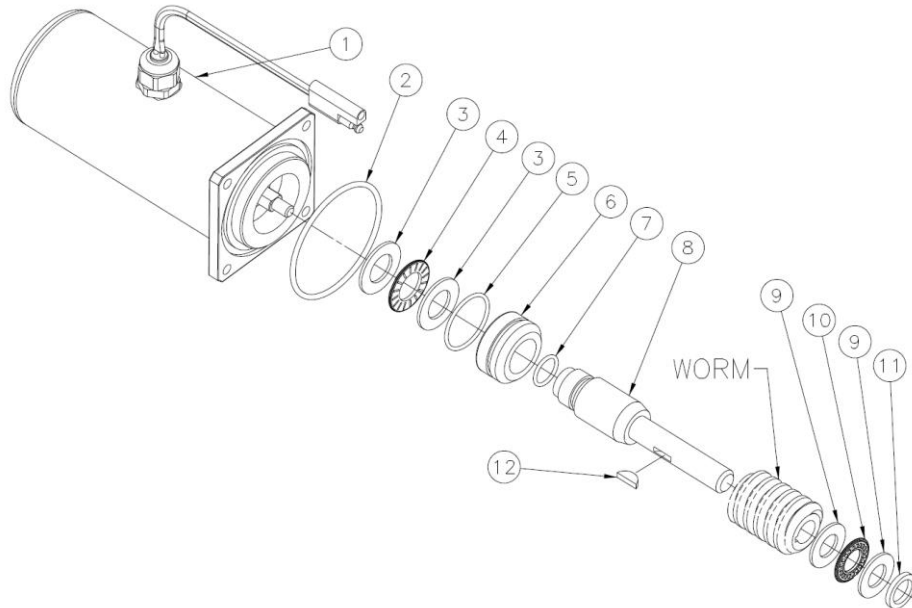


## 8294-01 Motor Replacement Kit P/N 81453001 (Replaces motor P/N 46035001)



No.	Part Number	Description	Qty.
1	81274001	12VDC Motor & Cover Assembly	1
2	57318000	O-Ring (AS568-142)	1
3	71513000	Washer - Thrust (0.625)	2
4	15699000	Bearing - Thrust (0.625)	1
5	57337000	O-Ring (AS568-025)	1
6	17707001	Bearing - Bushing	1
7	57295000	O-Ring (AS568-016)	1
8	64058001	Shaft - Gear (829401 Monitor)	1
9	71511000	Washer - Thrust (0.500)	2
10	15698000	Bearing - Thrust (0.500)	1
11	71185001	Washer - Thrust (829401)	1
12	42002000	Key - Woodruff #404	1

**Assembly Instructions:** Use general purpose petroleum based grease.

1. Grease Thrust Bearing (4) and place between Thrust Washers (3) before inserting them all into the cavity in the Bushing (6).
2. Lightly grease O-ring (5) and place it in the outside groove on Bushing (6) and then install Bushing washer/bearing/washer end first into Motor Assembly (1). Push it in until the O-ring can no longer be seen and the Bushing contacts the bottom of the recess in the Motor Assembly.
3. Lightly grease O-ring (7) and place it in the outside groove on Gear Shaft (8). Align flats on shaft of Motor Assembly and slot in end of Gear Shaft and then insert Gear Shaft into Bushing as far as possible. The O-ring (7) should no longer be visible.
4. Remove original Worm from the old motor shaft. *(This is the only part off of the original motor shaft that will be reused.)*
5. Assemble Woodruff Key (10), greased Worm, ½” thrust washer (9), greased ½” thrust bearing (10), and ½” thrust washer (9), Washer (11) onto Gear Shaft (8).
6. Insert O-ring (2) into face groove of Motor Assembly flange and install entire assembly into monitor gear case making sure O-ring (2) stays in place.

98406000 Rev-A