

# Magnum EXM Monitor

COMBINING THE FEATURES AND DURABILITY OF THE EXM WITH GROUND BREAKING DUAL 6" WATERWAYS TO DELIVER EXTREME FLOW.

With its large 6" inlet and unique waterway, the 7600 EXM is capable of providing 5000 GPM (18925 LPM) flow where you need it most. Designing the 7600 to be a part of the EXM family ensures the same level of quality and durability the industry has come to know. In addition, it has the same programmable EXM features such as 3D travel limits, keep-out zones, travel speeds, stow position, and oscillation.

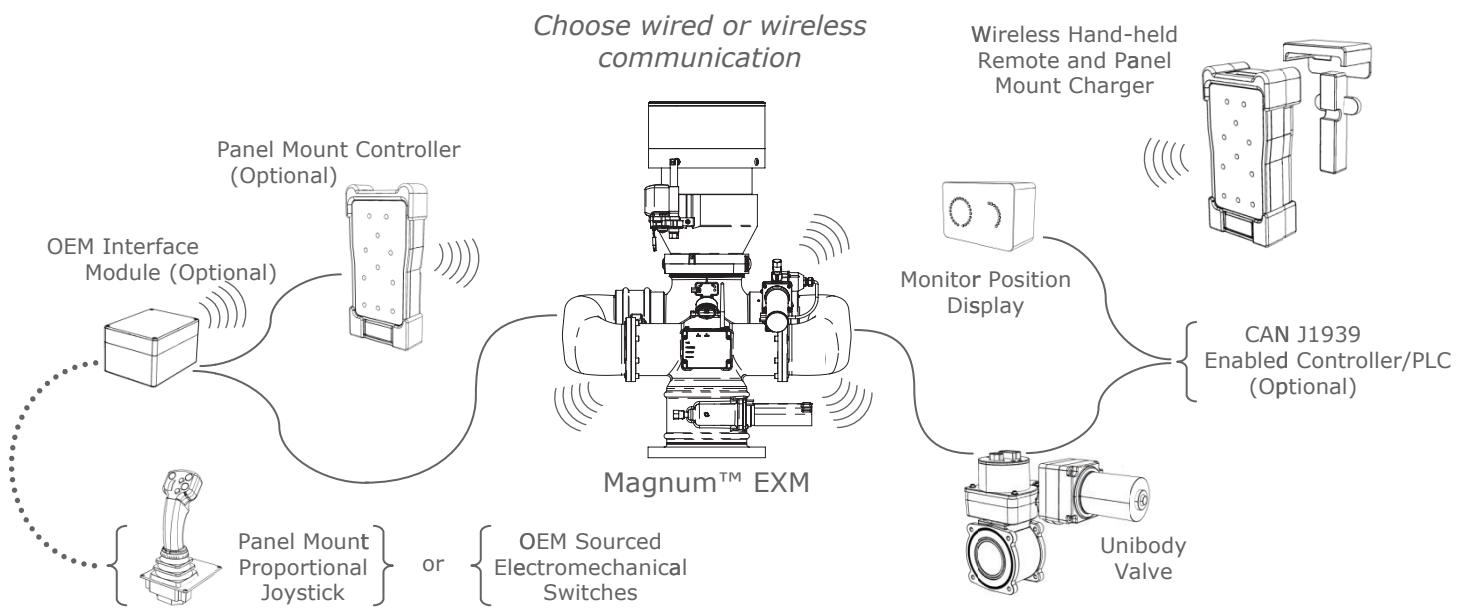


### Mechanical Features:

- 5000 GPM (18925 LPM) Flow
- Sealed to NEMA 4
- Axially aligned thrust bearings
- Absolute position sensors
- Manual travel override
- Fully potted electronics
- Teflon impregnated, hard anodized aluminum alloy waterway
- Extreme torque motors
- High efficiency sealed planetary gearboxes

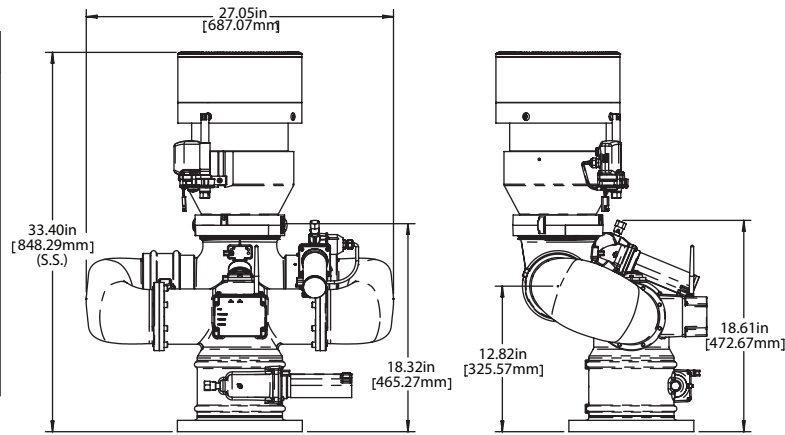
### Control Features:

- Universal input voltage 11-27VDC
- Wired or wireless communication
- CAN bus J1939 compatible
- Programmable travel speeds
- Single speed, two speed, or fully proportional speed control
- Programmable 3D Travel Limits, Keep-Out Zones, Travel Speeds, Stow Position, and Oscillation
- Integrated water valve control
- Position display

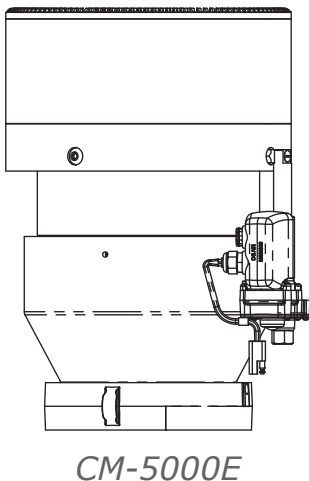
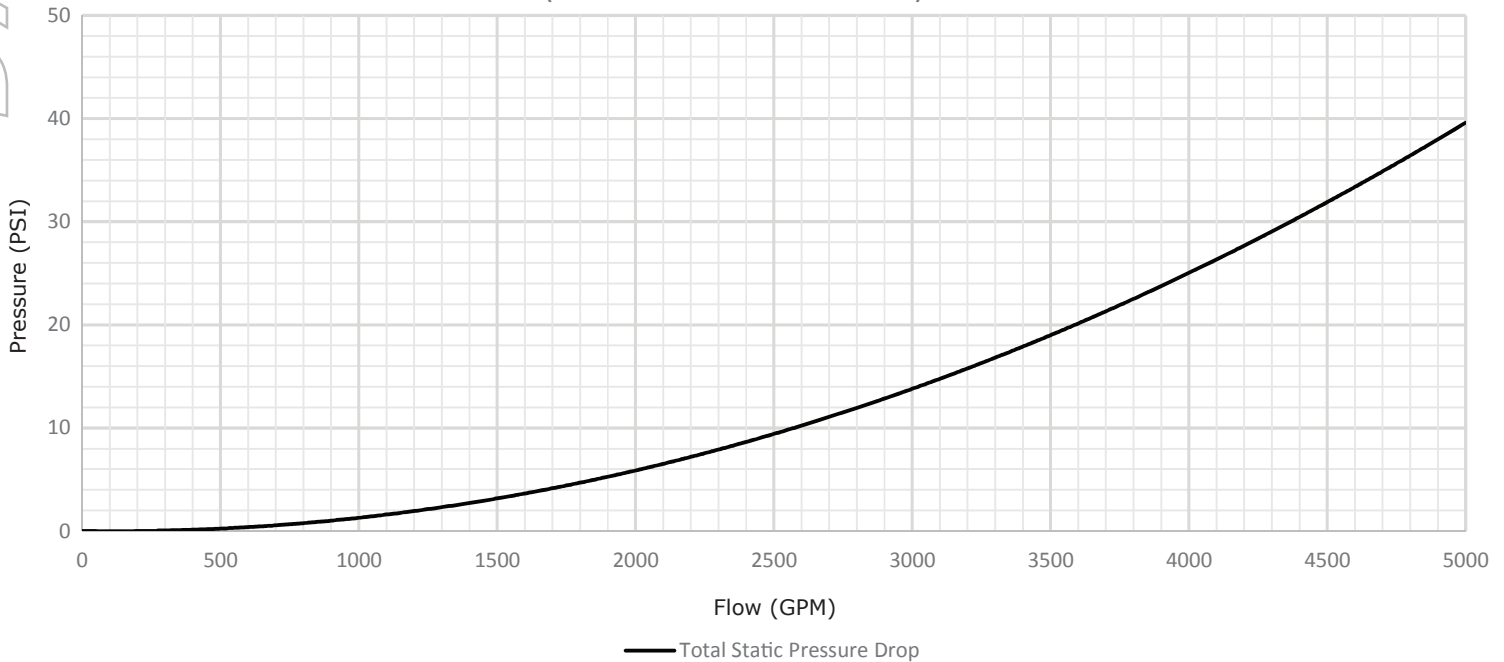


# Magnum EXM Monitor

SPECIFICATIONS	
Model	7600
Max Flow	5000 GPM (18925 LPM)
Max Pressure	200 PSI (13.8 Bar)
Inlet	6" 150# Flange
Outlet	6" NHT
Travel (Field Selectable)	V: -60° to +90° H: L175° to R175°
Swing Radius	14.5" (360°)
Stow Height	19"
Weight	115 Lbs. (52kg) including nozzle



7600 Magnum EXM Static Pressure Drop  
(6.0" Inlet and 6.0" Outlet)



## Magnum EXM Master Stream Nozzles

The CM Series nozzles were specifically designed for high flow applications with the Magnum monitor. They are constant flow, combination nozzles – straight stream, narrow fog or wide fog. They are flow-efficient with fully machined waterways and integral stream shapers for excellent stream quality and reach. They are constructed of hard-anodized, lightweight Elk-O-Lite, and they are electrically actuated with fully enclosed and sealed 12V DC motors.

SPECIFICATIONS			
Model	Inlet	Pressure PSI(BAR)	Flow GPM(LPM)
CM-3000E	6"	80 (5.5 BAR)	3000 (11355)
CM-5000E	6"	100 (6.9 BAR)	5000 (18925)