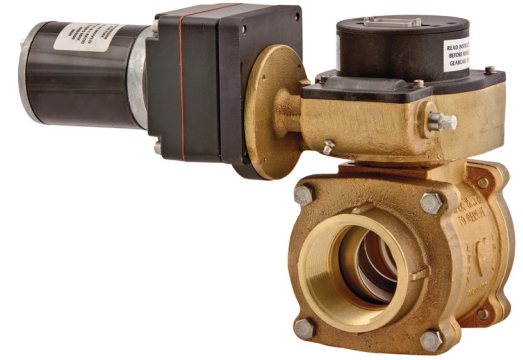


Unibody E3F, E4F, E5F, & E6F

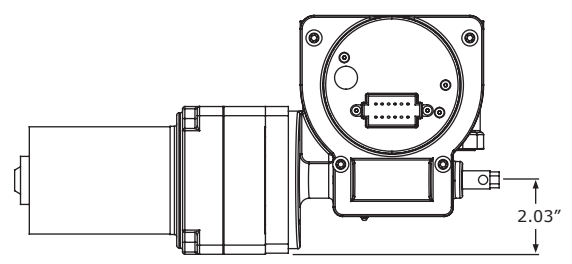
Electric valve actuators for use with Unibody series valve bodies

The E3F, E4F, E5F, and E6F are complete, self-contained electric valve actuators for use with Elkhart Brass Unibody Valve series modular valve bodies from 1.5" to 8". The E3F, E4F, E5F, and E6F are distinguished from previous Unibody electric actuators (E1F and E2F) primarily by their ability to communicate directly over a CAN enabled network, or by discrete wired electromechanical switches without the need for any additional control module or interface.

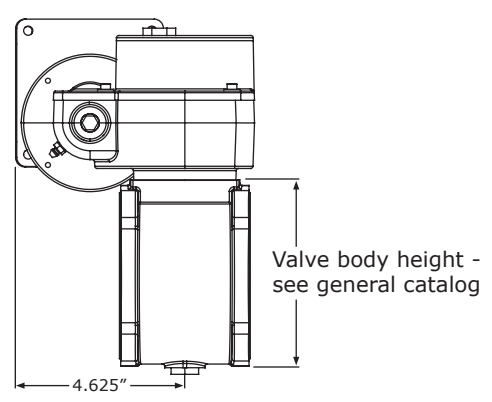
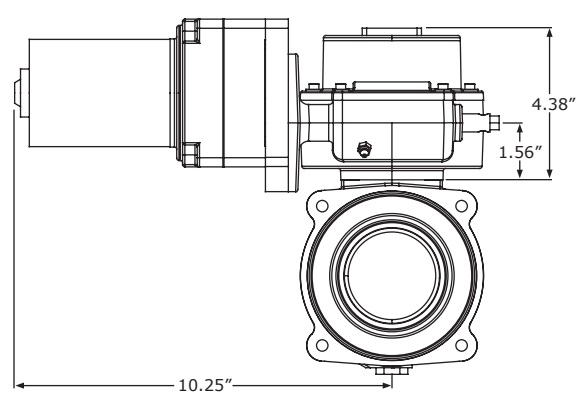


NOTE: The E5F & E6F are for use with EB6D only.

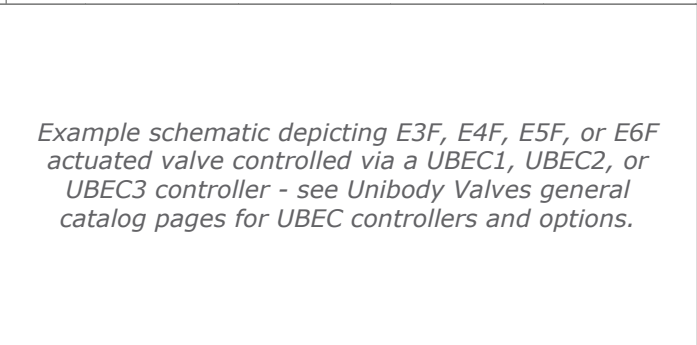
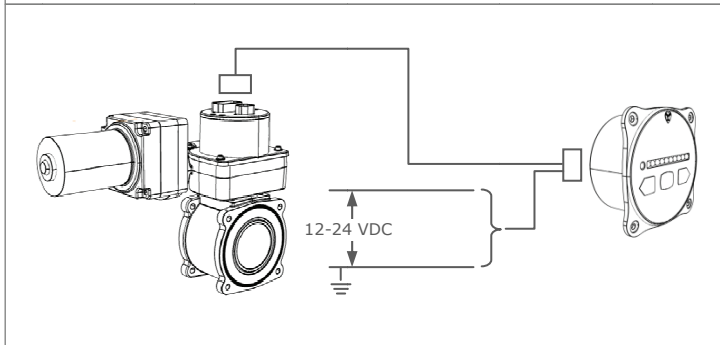
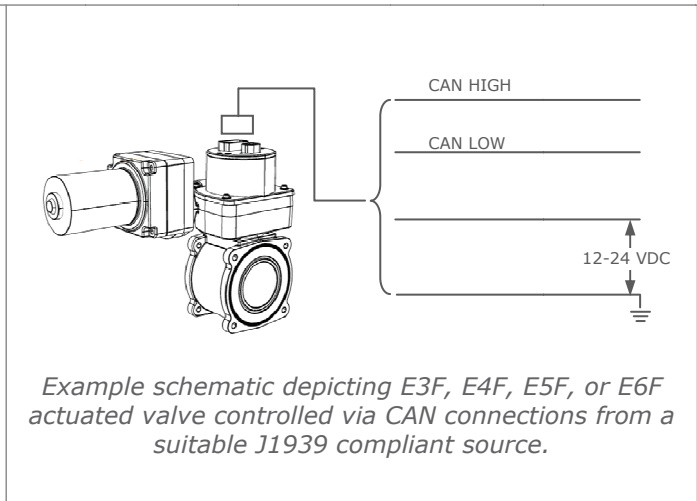
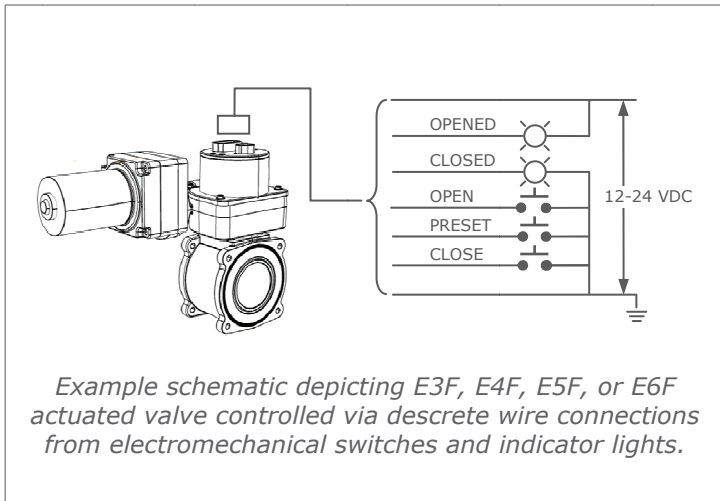
	E3F & E5F	E4F & E6F
12-24 VDC supply voltage	✓	✓
Sealed to NEMA 6 (full submersion)	✓	✓
3" Extreme torque motor	✓	✓
Compatible with discrete electromechanical switches	✓	✓
Compatible with CAN J1939 communication interface	✓	✓
Absolute valve position sensor	✓	✓
Direct access to valve position	✓	✓
Fail safe mode	✓	✓
Auto calibrate	✓	✓
Valve position preset command	✓	✓
Compatible with EXM enabled monitors and monitor controls	✓	✓
Compatible with UBEC 1 controller	✓	✓
Compatible with UBEC 2 & UBEC 3 controllers		✓
Compatible with UBEC 1S and UBEC 1C controllers	✓	
Broadcast pressure and flow data		✓



Overall dimensions of E3F, E4F, E5F, and E6F actuators are identical. E4F actuator is depicted mounted to a 2.5" Unibody series ball valve body - for complete valve body dimensions and options see Unibody general catalog pages.



Unibody E3F, E4F, E5F, & E6F



Ordering Information

E3F, E4F, E5F, and E6F are ordered assembled to a Unibody series valve body. All Unibody valve bodies compatible with an E1F or E2F electric actuator may now alternately be ordered with either an E3F, E4F, E5F, or E6F actuator. See Unibody Valve section of general catalog or list price guide for all Unibody series components as well as instructions for configuring a complete Unibody Valve model number with actuator, plumbing inlet adapter, and plumbing outlet adapter.

Pressure and flow sensors may be utilized with E4F and E6F actuators only, and along with sensor harnesses, are ordered separately from the complete valve itself. All pressure sensor, flow sensor, and sensor harness options currently available for the UBEC2 & UBEC3 control heads are now also compatible with the E4F and E6F actuators. Additionally, new shorter (24") sensor harnesses are available for the E4F and E6F. See current list price guide for all sensor and harness options and pricing.