



HOSE REELS

Hose Reels

Elkhart Brass offers several wall-mountable swinging hose reel options for immediate and continuous flow of water during deployment. All options are steel weld construction with cast aluminum center hub, rough chrome spokes and red hoops and mounting arm. Our Semi-Automatic reels meet OSHA regulation 1910.58 for one-man operation of fire hose.

HOSE REELS

12-1



	REEL TYPE		TOP CAPACITY BY HOSE TYPE (Feet)			MEASUREMENTS (Inches)		CERT.			
	Manual	Semi-automatic	Single-jacket synthetic-lined	Single-jacket rubber-lined	Stand pipe	Outside width of reel	Diameter of sides	UL Listed			
1½	•		150	100		7⅞	26¾			30-1	1
1½	•		300	200		10⅞	26¾			30-7	1
1½		•		100		7⅞	26¾	•	•	37-R	2
1½		•			100	7⅞	26¾	•	•	37-L	2
2½	•		150	50		8⅞	26¾			30-3	1
2½	•		300	100		14⅞	26¾			30-9	1

30

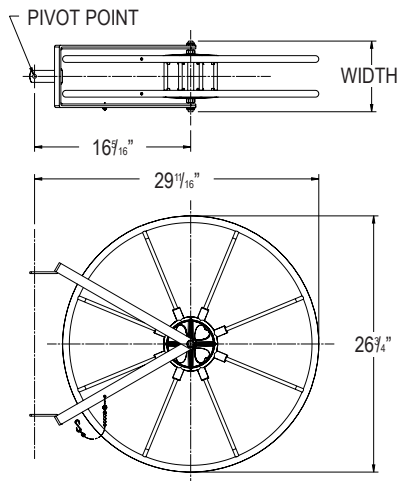


Fig. 1

37-R/L

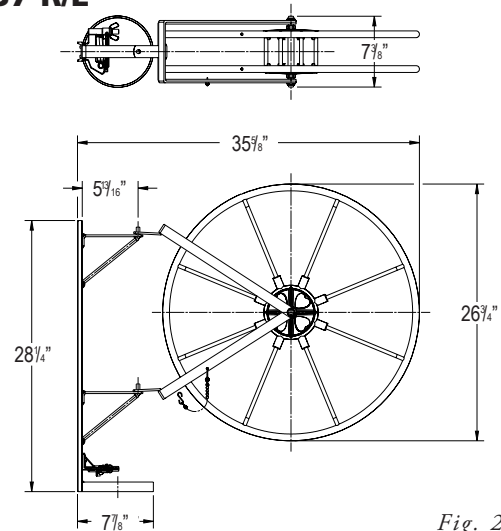


Fig. 2

Figure 1

Figure 2

ADDITIONAL INFORMATION

REELS

- Double-jacket rubber-lined hose requires the next larger reel size than the single-jacket hose.
- Specify hose size for optional brackets and pipe clamps (models 36 and 48A found on page 12-3).
- See page 12-3, for accessories, hose and mounting brackets.

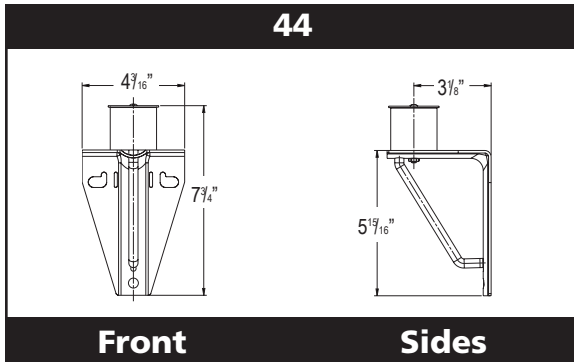
HOSE REELS



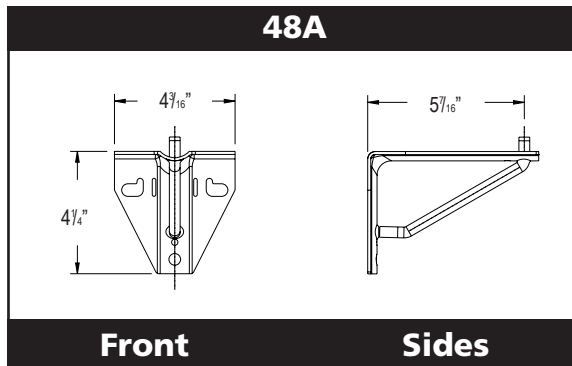
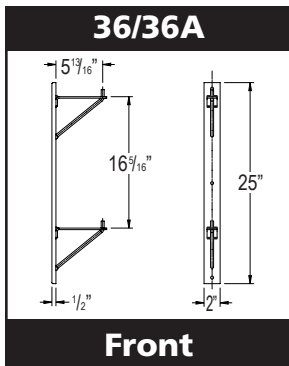
RACK & REEL ACCESSORIES

HOSE REELS

WALL BRACKETS

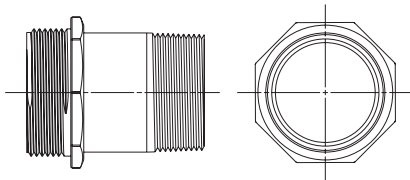


USE	COMPATIBLE PRODUCT					Color	Weight (Lbs.)	MODEL
	Racks	Reels						
	1 1/2"	30-1	30-3	30-7	30-9			
Rack support - replaces rack nipple	•					red	3 3/4	44
Single wall bracket		•	•	•		red	2 1/4	48-A
Double wall bracket		•	•	•		red	2 1/2	36
Double wall bracket				•		red	3	36-A



12-3

46-B RACK NIPPLE



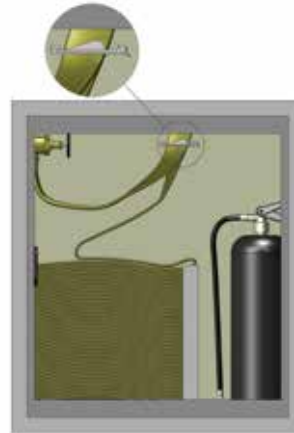
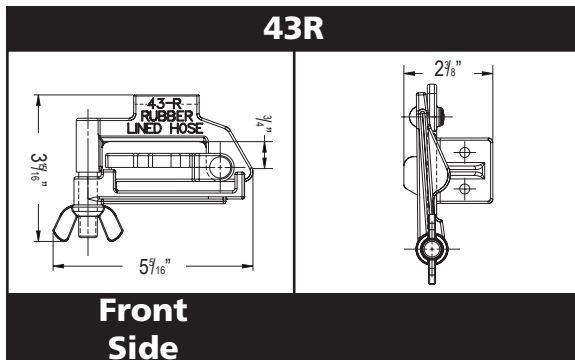
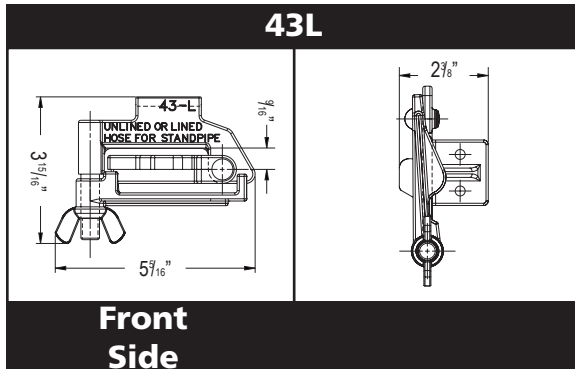
Sizes (Inches)	DIMENSIONS (INCHES)			CONSTRUCTION/FINISH		
	Total Length	Body Length	Width	Brass		
				Cast	Polished	Chrome-plated
1 1/2 NPT x 1 1/2 M NHT	4 1/4	2 7/8	3 3/8	s	o	o
2 1/2 NPT x 2 1/2 M NHT	3 3/16	2 7/8	2 7/16	s	o	o

KEY s = standard o = option

Covers

Type	MODEL
	49
	Reel
Compatibility (specify)	30-1, 30-3, 30-7, 37-R, 37-L
Material	Red vinyl, "FIRE HOSE" printed on both sides in white letters

Hose Clamps



Sample cabinet is illustrated for correct use of Elkhart's hose clamps.

- Semi-automatic Hose Clamp for use in semi-automatic hose cabinets
- 43L for use with 1 1/2" lined standpipe hose
- 43R for use with 1 1/2" single-jacket, rubber-lined hose

Hydrant House Accessories



627 – Pick Head Axe

- Constructed of drop forged steel
- Finished with polished blade and fiberglass handle
- Length: 34.75"
- Weight: 6 lbs.



630 – Crowbar

- Constructed of steel and finished with red paint
- Length: Ranges from 47.5" to 49.25" (please call for specifics at the time of purchase)
- Weight: 12 1/8 lbs.

ADDITIONAL INFORMATION

Hydrant and spanner wrenches may be found on page 2-4 and 2-5.