

# MONITORS



SKYSTREAM™ EXM2

MONITORS

## SkyStream™ EXM<sup>2</sup>

Taking the Scorpion EXM to the next level, the SkyStream EXM increases the flow capability to 3000 GPM (11355 LPM). With it's 5" NHT outlet, the SkyStream delivers best in class flow that provides a reach of up to 120 meters, making it ideal for use with fire apparatus, industrial pumper, and aerial vehicles.

- 3000 GPM flow
- Large range of travel: -45° to +90° vertical & L175° to R175° horizontal
- Patented, elliptical waterway is Teflon impregnated, hard anodized aluminum alloy
- Programmable travel speeds, 3D travel limits, keep out zones, stow and oscillation
- Integrated water valve control

5-8

SkyStream™ EXM2  
Mo. 7500  
(Nozzle sold separately)

2 3/4" Smooth Bore Nozzle

Manual Override  
Handwheels

Stream Shaper

Sealed High-  
Torque Motors

5" NHT Discharge

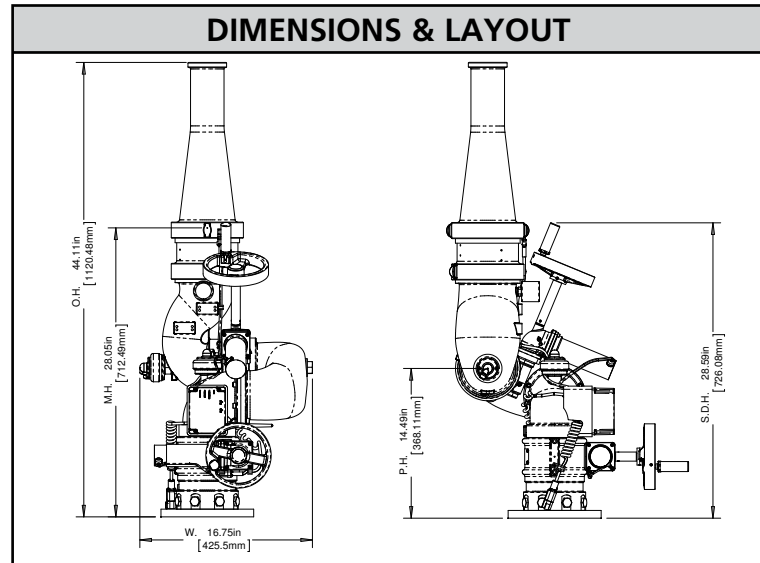
Double Race  
Bearings

3000  
GPM  
12,000  
LPM

500  
PSI  
34.5  
bar

4" 150# Flange

SPECIFICATIONS	
Model:	7500X2
Max Flow:	3000 GPM (12,000 LPM)
Max Pressure:	500 PSI (34.5 bar)
Inlet:	4" ANSI, DN100
Outlet:	5" Male NHT & BSPP
Travel:	Vertical: -45° to +90° (135°) Horizontal: L175 to R175 (350°)
Voltage:	12 or 24 VDC compatible
Control:	CANbus J1939
Communication:	915 MHz RF - FCC 868 MHz RF - CE
Material/Finish:	Teflon impregnated, hard anodized Elk-O-Lite®
Stow Height:	20" (508mm) without optional handwheel
Weight:	58 lbs (26.3 kg)



### Recommended Products

Panel Mount	Handheld	Joystick	Position Display	Smooth Bore Nozzle	Light Kit
(2)	(3)	(4)	(5)	(6)	(7)

### Components & Options Chart

COMPONENTS & OPTIONS			ILLUSTRATION	MODEL
Nozzle	Smooth Bore	17" long, custom 2 3/4" Smooth Bore Nozzle for use with the SkyStream™ EXM2.	6	181-5A
Controllers	EXM2 Panel Mount Controller	Complete panel mount operator control suitable for 2-wire connection to any EXM2 enabled component.	2	7010X2
	EXM2 Wireless Handheld Controller Kit	Wireless remote control with powered docking station. Built-in charging circuit charges the remote whenever it is placed in the docking station.	3	7015X2
	EXM2 Joystick Controller	Proportional joystick with integrated CANbus communication. Hardwire joystick direct via CANbus to any EXM2 monitor.	4	7030X2
Modules	EXM Position Display Module	Monitor vertical and horizontal position display unit suitable for 2-wire connection to any EXM enabled component.	5	7051X2
	EXM CAN Stow Module	Connects to lockout devices to prevent equipment damage due to an improperly positioned monitor.	Not Pictured	7095
Accessories	Light Kit	Includes 3500 lumen FRC WorkPro spotlight, mounting bracket and power harness.	7	7092L
	Video Kit	Includes camera and mounting bracket, 7" color monitor and harnesses.	Not Pictured	7092V