



BRUSHHAWK™

MONITORS

BrushHawk™

- Allows for more effective use of personnel while reducing the potential risk of injury — controls can be mounted inside vehicle
- Double ball races with stainless steel bearings

5-16

(Nozzle sold separately)

12 or 24 VDC
compatible

1.5" NHT
discharge

Fully enclosed stainless
steel worm gears

2" Fully-vented
waterway

Electric motors
feature manual
override




1.5" or 2" inlet
options

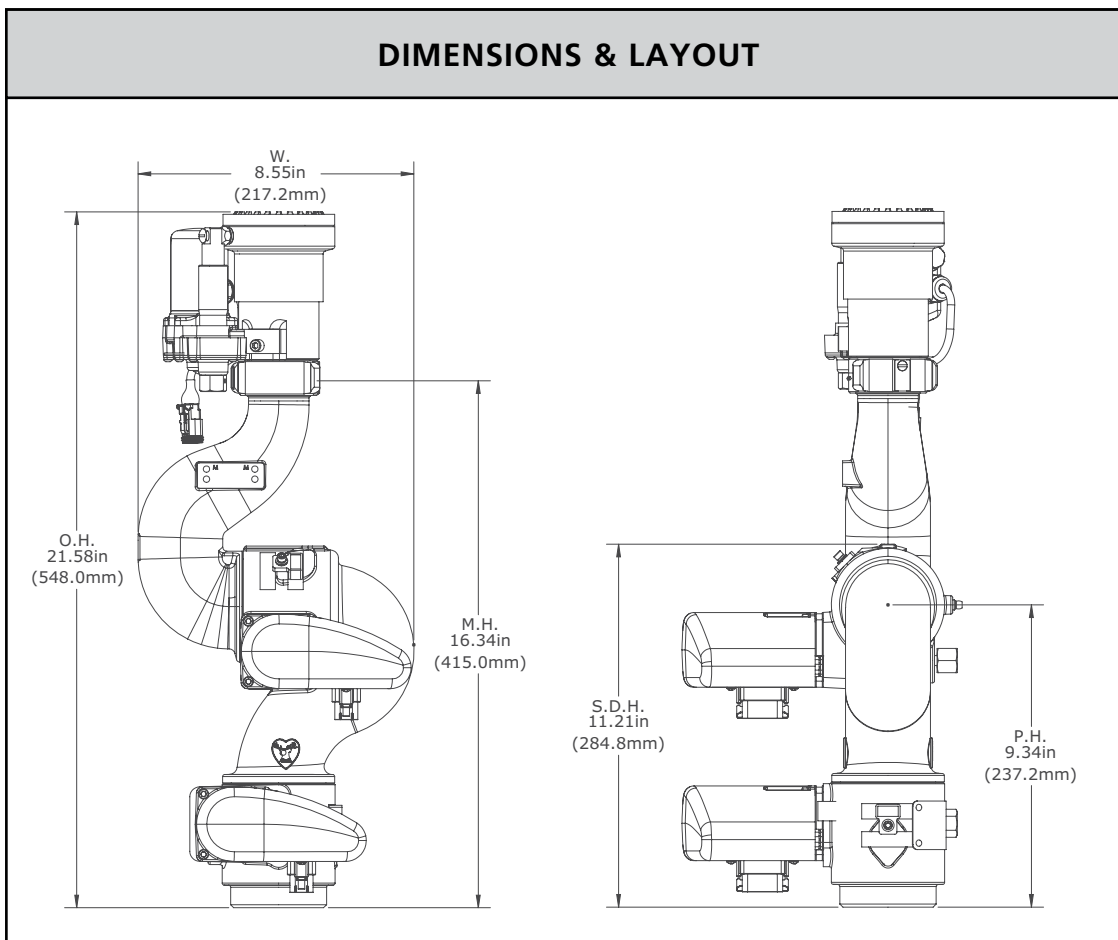
500
GPM
2000
LPM

200
PSI
14 bar



SPECIFICATIONS	
Max Flow	500 GPM (2000 LPM)
Inlet	Size
	1.5" or 2" NPT (F)
Outlet	1.5" NHT
Controls	Electric
Material/Finish	Elk-O-Lite® with red urethane enamel
Friction Loss	26 psi at 500 gpm
	13 psi at 350 gpm
	3.9 psi at 200 gpm
Travel	V 30°/+90° or -45°/+45°
	H L90°/R90° or L175°/R175°
Weight	13.5 lbs. (6.1 kg)
Max. Power Requirement	3.0 Amps at 12V DC (24V opt)
Ratings and Certifications	CE

KEY CONFIGURATIONS (ACCESSORIES)		
 <p>JOYSTICK CONTROL BOX (8)</p>	 <p>VALVE (4)</p>	 <p>QUICK CONNECT (10)</p>



ADDITIONAL INFORMATION

Technical Data on monitor performance may be found on page T-11.



BRUSHHAWK™

Sidewinder® Electric Selector Guide

INLET SIZE / TYPE		OUTLET SIZE	HORIZONTAL TRAVEL		BASES		CERTIFICATION	MODEL
1.5" NPT	2.0" NPT	1.5"	180°	334°	2.0" NPT	1.5" or 2" NPT Quick Connect (Elk-O-Lite®)	CE	
o	o	•	s	o	s	o	•	8495

KEY s = standard o = option

Components & Options Chart

COMPONENTS & OPTIONS			MODEL
Electric Nozzles	Selectable Gallonage	15/30/45/60/95/125/150/200 GPM	6000-200E
	Fixed Gallonage	15, 30, 45 GPM (<i>specify</i>)	5000-04
		60, 95, 125, 150 GPM (<i>specify</i>)	5000-14
		175, 200, 250, 350, 400, 475 GPM (<i>specify</i>)	5000-24
	Automatic	20 - 120 GPM	SM-10FE
Operator Controls	Joystick	With toggle for water on/off plus integrated water valve trigger	
Valve Kit 1", 2" or 2.5"	Harness - Joystick to monitor	2', 10', 15', 20', 30 or 40' length (<i>specify</i>)	
	Harness - Joystick to valve	2', 10', 15', 20', 30 or 40' length (<i>specify</i>)	
	Harness - Valve to monitor	2', 10', 15', 20', 30 or 40' length (<i>specify</i>)	

Recommended Products

5000-14 ELECTRIC NOZZLE	SM-10FE DE-ICING NOZZLE	281-A STREAM SHAPER	187CAF - SMOOTH BORE	6000-200E* ELECTRIC NOZZLE
(11)  <i>Page 6-4</i>	(13)  <i>Page 6-4</i>	 <i>Page 1-27</i>	 <i>Page 1-26</i>	(14)  <i>Page 6-9</i>