

Scorpion® Electric

- Allows for more effective use of personnel while reducing the potential risk of injury
- Efficient at high flows — 4” fully -vaned waterway
- Extremely reliable system with built-in safety features:
 - Motors and control system components sealed to NEMA 4 rating
 - 10 vertical and 39 horizontal adjustable stop positions
 - Electronic controls with manual override
- Easy installation — monitor comes with:
 - NEMA 4 rated connectors
 - NEMA 4 rated controller
- Optional one-button automatic stow with choice of stow position (up or down) and output signal type (pulse or continuous)
- Liquid-filled pressure gauge

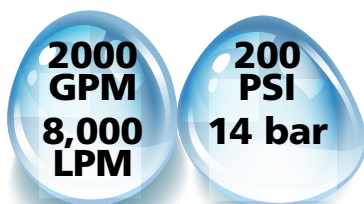


(Nozzle sold separately)

Shown with optional pressure gauge

Fully-vaned waterway for low friction loss and optimum stream quality

Lightweight Elk-O-Lite® construction





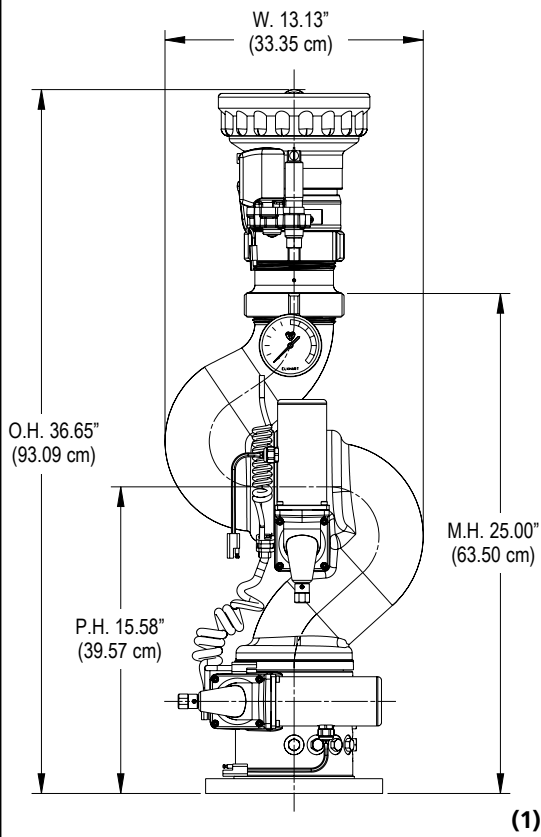
SPECIFICATIONS

Max. GPM (LPM)	2000 (7570)	
Inlet	Size	Type
	4"	150# ANSI Flange
Outlet	3.5" NHT	
Controls	Electric	
Material/Finish	Elk-O-Lite® with red urethane enamel	
Friction Loss	39 psi at 2000 gpm	
	15 psi at 1250 gpm	
Travel	V -45° to +90° (135°)	
	H 347°	
Weight	Variable (see chart for specifics)	
Ratings and Certifications	CE	

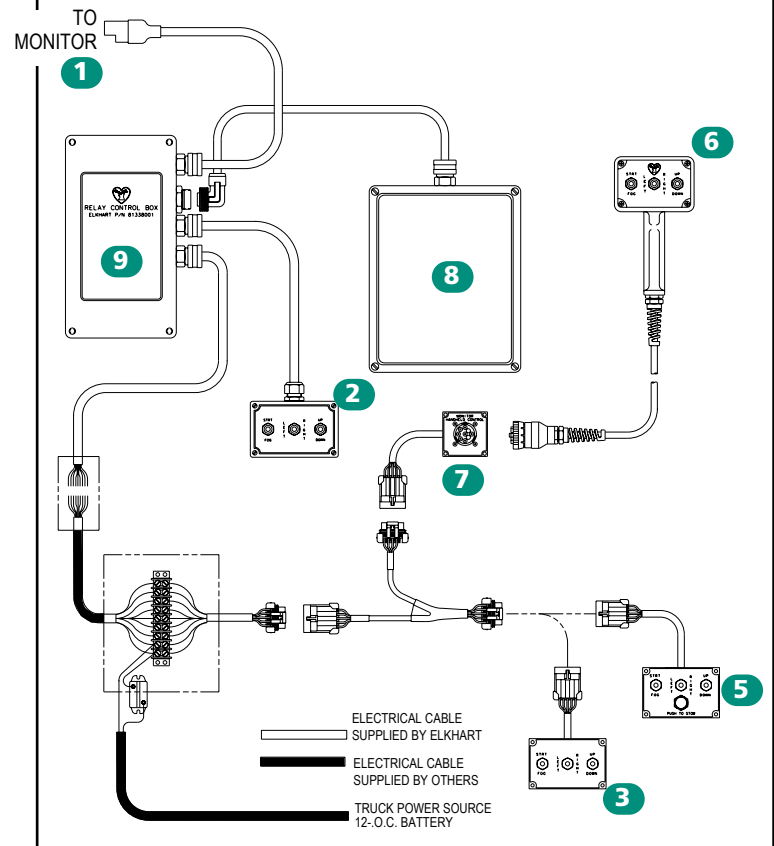
KEY CONFIGURATIONS (ACCESSORIES)

		
TOGGLE CONTROL BOX (2)	JOYSTICK CONTROL BOX (4)	
		
PANEL MOUNT CONTROL (3)	HAND HELD CONTROL (6)	HAND HELD RECEPTACLE (7)

DIMENSIONS & LAYOUT



CONTROL COMPONENTS CONFIGURATION



ADDITIONAL INFORMATION

• Technical Data on monitor performance may be found on page T-11.

Scorpion® Electric Selector Guide

INLET SIZE/ TYPE	OUTLET SIZE	CONTROL MODULE VOLTAGE	MATERIALS	CERTIFICATIONS	WEIGHT (Lbs.)	MODEL
4" 150# ANSI Flange	3.5" NHT	12V DC	Elk-O-Lite®	CE		
s	•	•	•	•	43	8294-04
			1			<i>Illustration</i>

KEY s = standard o = option

Components & Options Chart

COMPONENTS & OPTIONS	ILLUSTRATION	MODEL	
Operator Controls	Panel Mount Controller	3	81339001
	Panel Mount Controller with Stow – adds stow button	5	81421001
	Aerial Switch Box Controller	2	81340001
	Joy Stick Controller – operator control	4	
	Hand-held remote control (includes receptacle)	6	81309001
Relay Control Box	Allows the monitor to interact with the operator control	9	81480001
Optional Control	Hand held control receptacle	7	81242001
24V Converter	24V to 12V		81093001
Auxiliary Battery Pack	Back-up to truck power (12V)	8	81466001
Companion Flange Kit	4" 150# ANSI steel flange with bolts and gaskets		81317001

Recommended Products

SM-2000E – X-STREAM®	ST-195 – STACKED TIP	181-3 – DELUGE TIP	284A – STREAM SHAPER	84 – BUTTERFLY WAFER VALVE
				
<i>Page 6-7</i>	<i>Page 1-26</i>	<i>Page 1-26</i>	<i>Page 1-27</i>	<i>5-51</i>

Product Highlights

The Scorpion® Electric provides two user selectable settings – stow position and stow signal output.

- The programmable options for the stow position are: 1) discharge up and 2) discharge down.
- The programmable options for stow signal output are: 1) no output until sequence is complete (for use as aerial interlock) and 2) flashing on/off signal during travel with steady signal when complete (for in-cab notification).