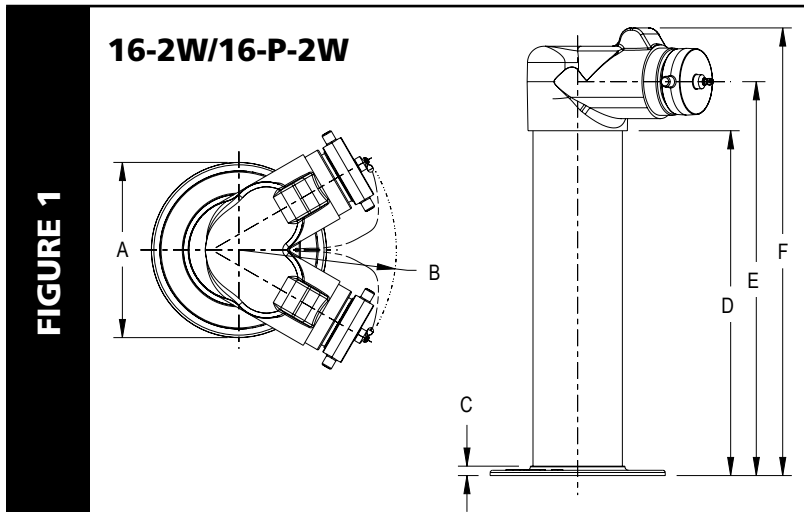


Type	NPT INLET SIZE (Inches)	NUMBER OF 2.5" M NHT OUTLETS			CERTIFICATION	MEASUREMENTS (Inches)						AVAILABLE ESCUTCHEONS		FINISH		Weight (Lbs.)	MODEL	FIGURE
		2	3	4		FM Approved	A	B	C	D	E	F	Hydrant	Pump Test Conn.	Polished Brass			
Hydrants	4.0	•			•	9 <sup>3</sup> / <sub>4</sub>	8 <sup>7</sup> / <sub>16</sub>	1/2	18 <sup>1</sup> / <sub>4</sub>	20 <sup>7</sup> / <sub>8</sub>	23 <sup>2</sup> / <sub>3</sub>	•		s	o	30	16-2W 4"*	1
Pump Test Connections	4.0	•				9 <sup>3</sup> / <sub>4</sub>	8 <sup>7</sup> / <sub>16</sub>	1/2	18 <sup>1</sup> / <sub>4</sub>	20 <sup>7</sup> / <sub>8</sub>	23 <sup>3</sup> / <sub>4</sub>		•	s	o	30	16-P 2W 4"	1

Key s = standard o = option  
 \* Can order parts (sleeve or body) separately.



**FIGURE 1**

### ADDITIONAL INFORMATION

- Each outlet has a rated flow of 250 gpm (946 lpm).
- Elkhart's sidewalk bodies are rated for 175 psi (12.1 bar).
- Supplied with caps (#310) and chains.

### THREADS

Unless otherwise noted, all hose threads are NHT. See index T-13 for available optional threads.

### OTHER PRODUCTS

- 154-S** – A cast brass valve control for actuating underground mounted valve, used with Elkhart's model #16 (a sidewalk type hydrant), is available. The 154-S comes with a 7/8" square steel extension rod that is 24" long and has a special coupling for attaching to stem of gate valve. Additionally, a cap, chain and sleeve are included. Please specify polished brass or polished chrome-plated sleeve.
- Note: a 2<sup>1</sup>/<sub>2</sub>" hole is required in the concrete slab, as well as a 1<sup>1</sup>/<sub>2</sub>" nipple and locknut which are not included.
  - This product is similar, in function, to the 164 seen on page 13-18.
- Use of a X-86 gate valve is suggested on Pump Test Connections. Gate valve may be found on page 8-5.