



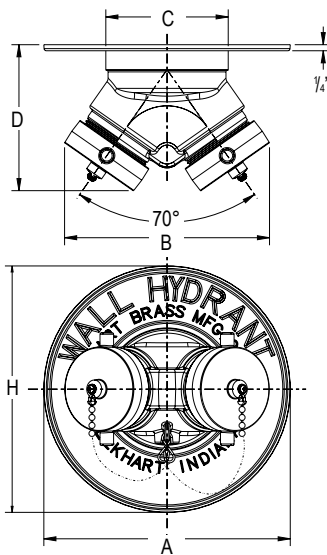
EXPOSED OUTLET

| NPT INLET SIZE (Inches) | OUTLET SIZE | MEASUREMENTS (Inches) | | | | | AVAILABLE ESCUTCHEON LETTERING | FM Approved | FINISH | | | Weight (Lbs.) | MODEL | FIGURE |
|-------------------------|-------------|---------------------------------|--------------------------------|----|----------------------------------|---------------------------------|--------------------------------|-------------|------------|----------------|-----------------|---------------|-------|--------|
| | | A | B | C | D | H | | | Cast Brass | Polished Brass | Polished Chrome | | | |
| 4 | 2½ | 10 ³ / ₁₆ | 8½ | 5½ | 6 ¹ / ₁₆ | 10 ³ / ₁₆ | s | | s | | | 13 | 143* | 1 |
| 6 | 2½ | 11 ⁷ / ₈ | 12 ⁵ / ₈ | 7½ | 11 ¹³ / ₁₆ | 11 ¹ / ₁₆ | s | • | | s | o | 24 | 153 | 2 |

Key s = standard o = option

* Can order body separately.

FIGURE 1

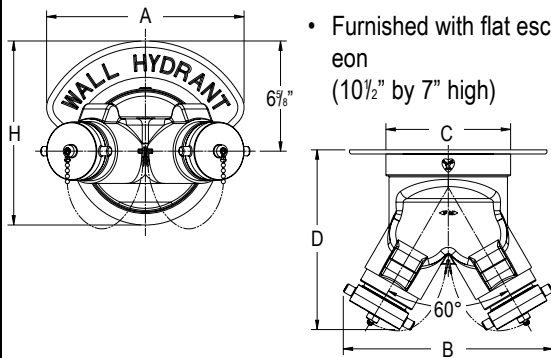


143

- Furnished with aluminum escutcheon with red painted letters

Fig. 1

FIGURE 2



153

- Furnished with flat escutcheon (10½" by 7" high)

Fig. 2

ADDITIONAL INFORMATION

- Bodies rated for 175 psi (12.1 bar).
- Each 2½" M NHT outlet has a rated flow of 250 gpm (946 lpm).
- Supplied with caps (#310) and chains.

THREADS

Unless otherwise noted, all hose threads are NHT. See index T-13 for available optional threads.