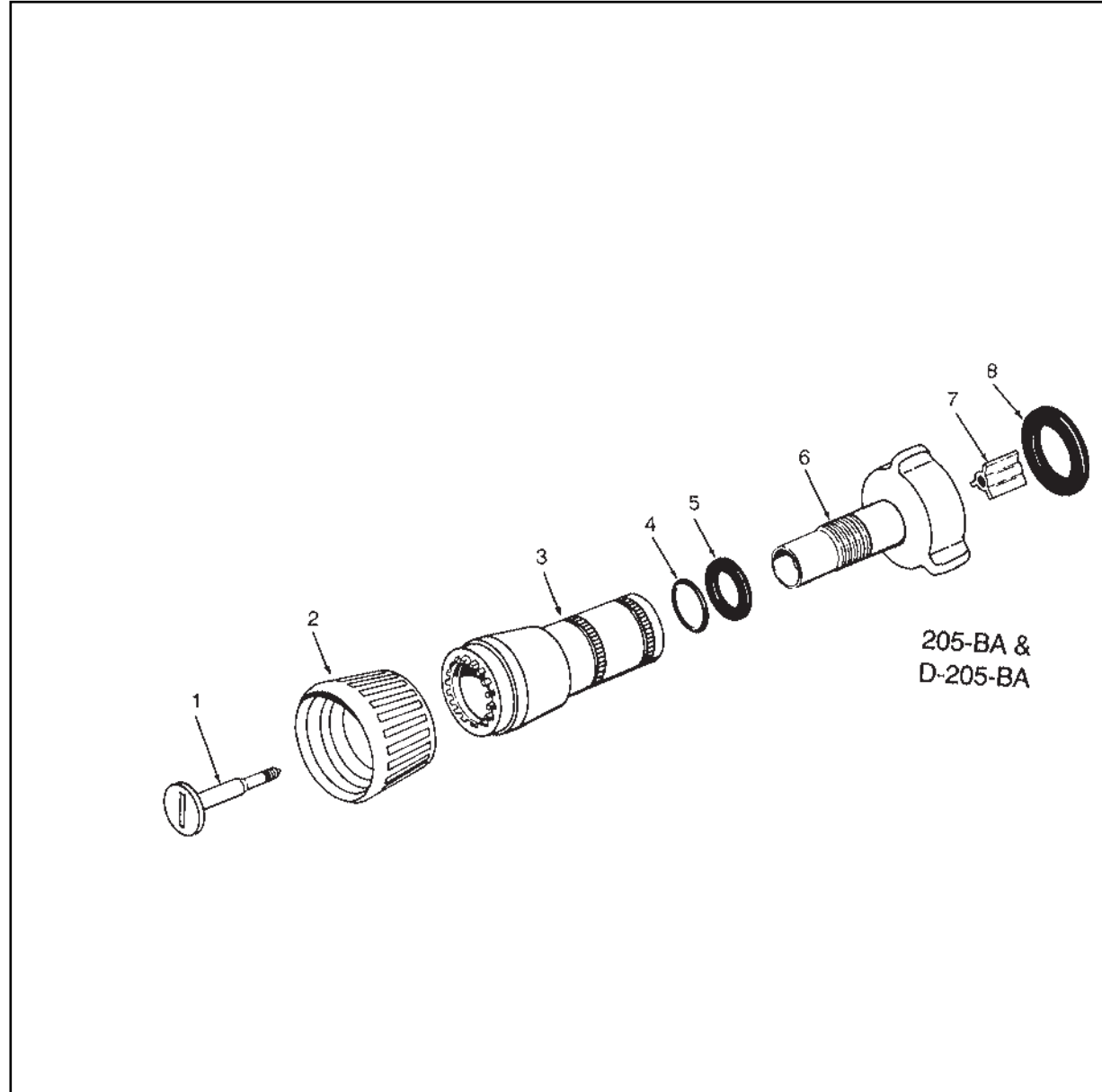


205-BA & D-205-BA (ELK-O-LITE)

INDEX NO.	PART NO.	QTY. REQ.	DESCRIPTION
1	62029	1	Stem Head (170 GPM)
1	62022	1	Stem Head (250 GPM)
1	62083	1	Stem Head (200 GPM @ 75 PSI)
1	62082	1	Stem Head (125 GPM @ 75 PSI)
2	33649	1	Rubber Bumper
3	66347	1	Nozzle Tip
3	66390	1	Nozzle Tip (Non-Shutoff)
4	57361	1	"O" Ring
5	33214	1	Gasket
6	15436	1	Nozzle Base, 1.5" (205-BA)
6	15442	1	Nozzle Base (Non-Shutoff), 1.5" (205-BA)
6	15433	1	Nozzle Base, 2.5" (D-205-BA)
7	63385	1	Stem Base (Web)
8	33074	1	Gasket, 1.5" (205-BA)
8	33083	1	Gasket, 2.5" (D-205-BA)

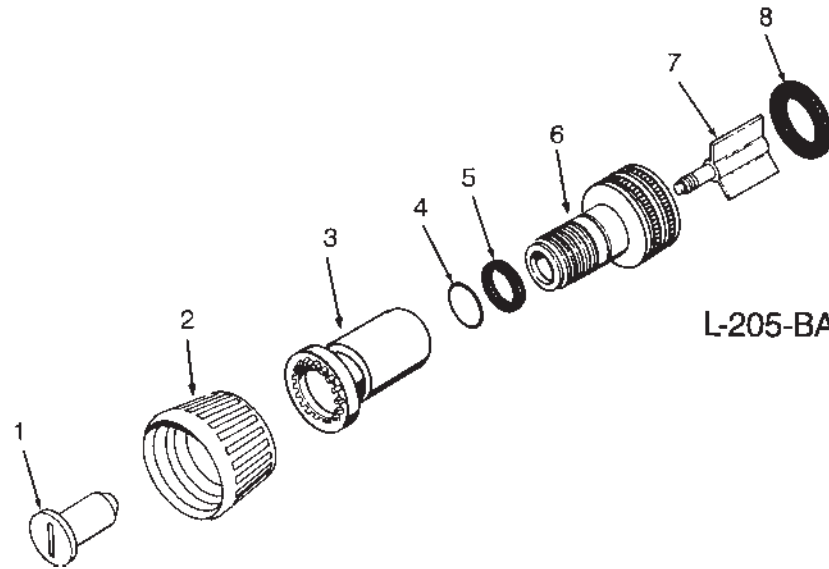


L-205-BA

April, 1996

L-205-BA (ELK-O-LITE)

INDEX NO.	PART NO.	QTY. REQ.	DESCRIPTION
1	63801	1	Stem Head (95 GPM)
1	63800	1	Stem Head (40 GPM)
1	61879	1	Stem Head (60 GPM)
1	63802	1	Stem Head (125 GPM)
1	63818	1	Stem Head (125 GPM @ 75 PSI)
2	33620	1	Rubber Bumper
3	66316	1	Nozzle Tip
4	57350	1	"O" Ring
5	33220	1	Rubber Gasket
6	15431	1	Nozzle Base, 1.5"
7	63394	1	Stem Base
8	33074	1	1.5" Rubber Gasket



L-205-BA